



Nothing but **HEAVY DUTY.**[™]



M18 FOPH-LTA

User Manual

操作指南

操作指南

사용시 주의사항

คู่มือการใช้

Buku Petunjuk Pengguna

The illustration shows the application head M18 FOPH-LTA connected to the MILWAUKEE powerbase M18 FOPH-0. This application head may only be operated in connection with the powerbase shown in this manual. Depending on the equipment package, you have purchased various application heads. Other application heads and powerbases can be purchased separately.

圖示顯示連接到MILWAUKEE動力頭M18 FOPH-LTA的快拆配件M18 FOPH-0。本快拆配件只能與本說明書中顯示的動力頭一起使用。根據設備的包裝，您購買了各種快拆配件。其他快拆配件和動力頭可單獨購買。

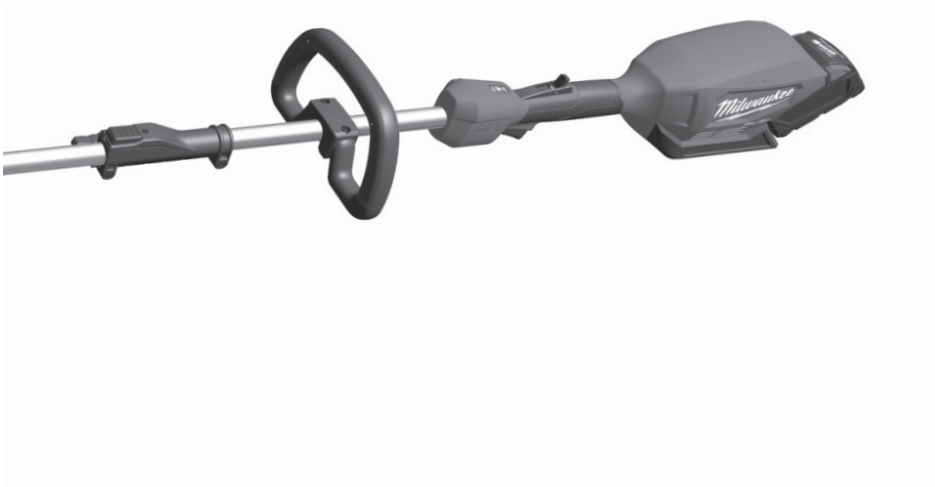
图示显示连接到美沃奇多功能主机M18 FOPH-LTA的应用头M18 FOPH-0。本应用头只能与本说明书中显示的多功能主机一起使用。根据设备的包装，您购买了各种应用头。其他应用头和多功能主机可单独购买。

다음 그림에는 MILWAUKEE 파워베이스 M18 FOPH-0에 연결된 애플리케이션 헤드 M18 FOPH-LTA가 제시되어 있습니다. 이 애플리케이션 헤드는 본 매뉴얼에 제시된 파워베이스와 연결되어 있는 상태에서만 조작할 수 있습니다. 장비 패키지에 따라 애플리케이션 헤드가 다양할 수 있습니다. 다른 애플리케이션 헤드와 파워베이스는 별도로 구입할 수 있습니다.

ภาพประกอบแสดงหัวตัดรุ่น M18 FOPH-LTA ที่เชื่อมต่อกับชุดส่งกำลัง MILWAUKEE รุ่น M18 FOPH-0 หัวตัดนี้จะทำงานเมื่อเชื่อมต่อกับชุดส่งกำลังตามที่แสดงไว้ในคู่มือนี้เท่านั้น อุปกรณ์ของคุณมาพร้อมหัวตัดหลากหลายแบบ โดยขึ้นอยู่กับรุ่นอุปกรณ์ที่คุณซื้อ หัวตัดและชุดส่งกำลังแบบอื่นๆ สามารถซื้อได้ แยกกัน

Gambar berikut menunjukkan head perangkat M18 FOPH-LTA yang terhubung dengan powerbase MILWAUKEE M18 FOPH-0. Head perangkat ini hanya dapat dioperasikan saat terhubung dengan powerbase yang ditunjukkan dalam manual ini. Tergantung pada paket peralatan, Anda telah membeli berbagai head perangkat. Head perangkat dan powerbase lain dapat dibeli secara terpisah.







For the following instructions of the powerbase in connection with this application head refer to the separate instructions for the power base

- connecting the application head with the powerbase
- turning on-off
- speed selection
- changing the battery

有關本快拆配件的動力頭的以下說明，請參閱動力頭的獨立說明。

- 連接快拆配件與動力頭
- 開/關
- 選擇速度
- 更換電池

有关本应用头的多功能主机的以下说明，请参阅多功能主机的独立说明。

- 连接应用头与多功能主机
- 开/关
- 选择速度
- 更换电池

이 애플리케이션 헤드와 함께 파워베이스에 대한 설명서는 파워베이스를 위한 별도의 설명서를 참고하십시오.

- 애플리케이션 헤드와 파워베이스 연결
- 전원 켜기/끄기
- 속도 선택
- 배터리 교체

สำหรับคำแนะนำในการเชื่อมต่อชุดส่งกำลังกับหัวตัดนี้ ให้ดูที่คำแนะนำที่แยกส่วนกันสำหรับชุดส่งกำลัง

- การเชื่อมต่อหัวตัดเข้ากับชุดส่งกำลัง
- การเปิด/ปิดเครื่อง
- การเลือกความเร็ว
- การเปลี่ยนแบตเตอรี่

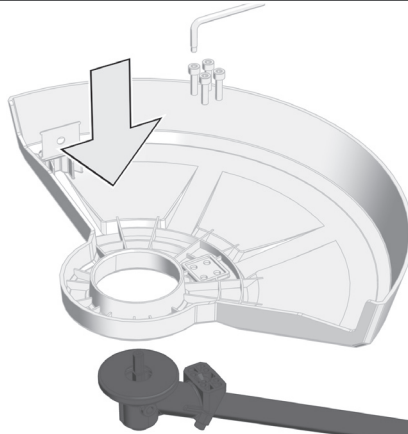
Untuk instruksi powerbase berikut terkait dengan head perangkat ini, lihat instruksi terpisah untuk powerbase.

- menghubungkan head perangkat dengan powerbase
- menyalakan-mematikan
- pilihan kecepatan
- mengganti baterai

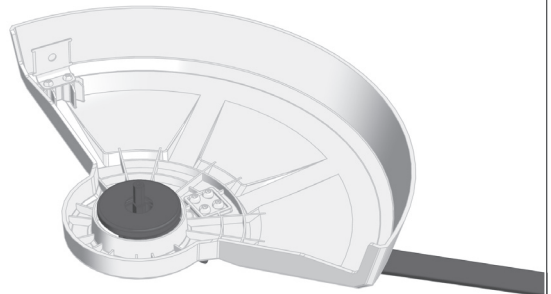




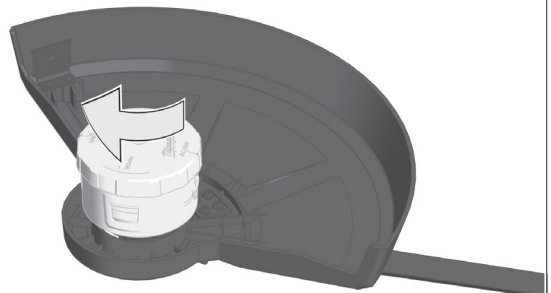
1

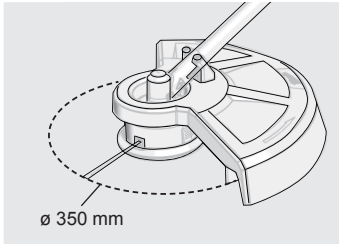


2

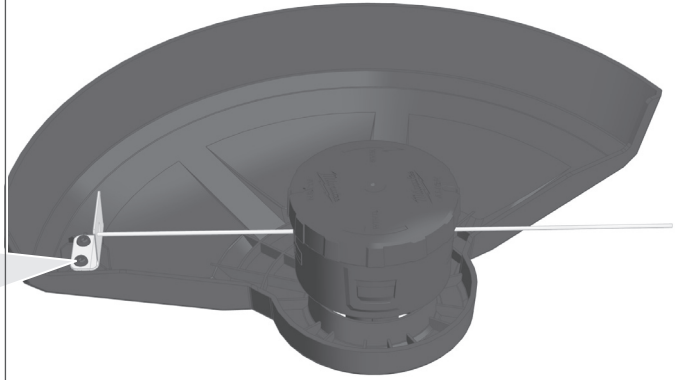


3

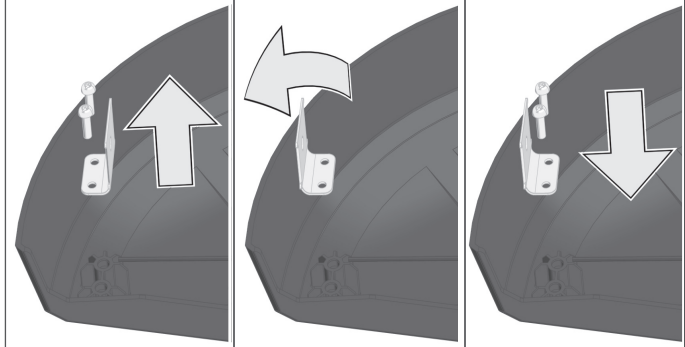




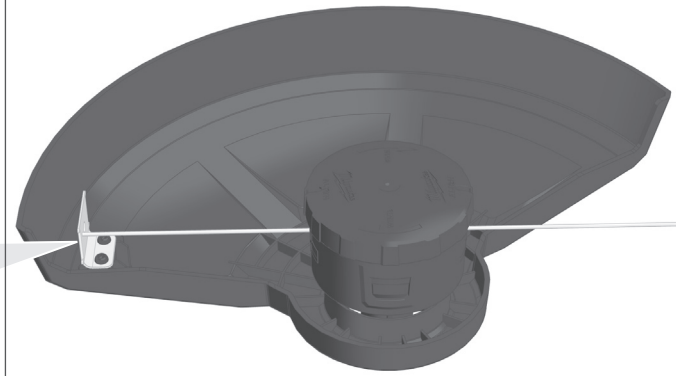
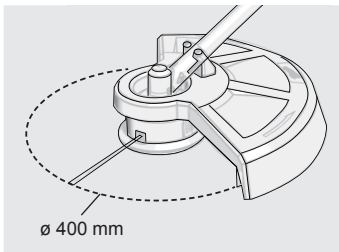
1



2

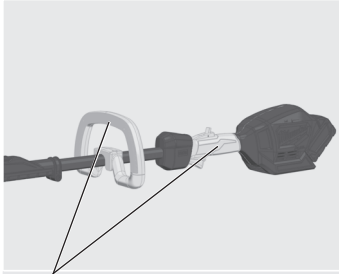


3





TIP



Handle (insulated gripping surface)

把手 (絶縁的握持表面)

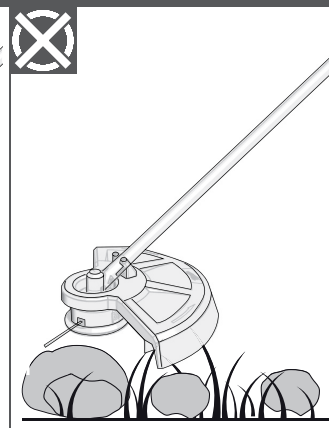
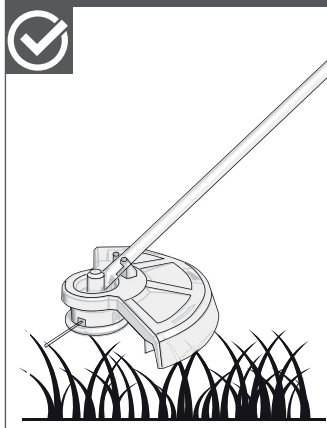
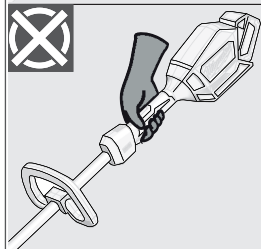
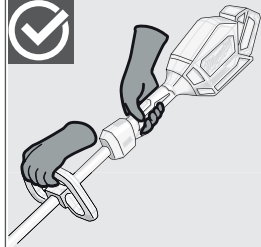
把手 (絶縁的握持表面)

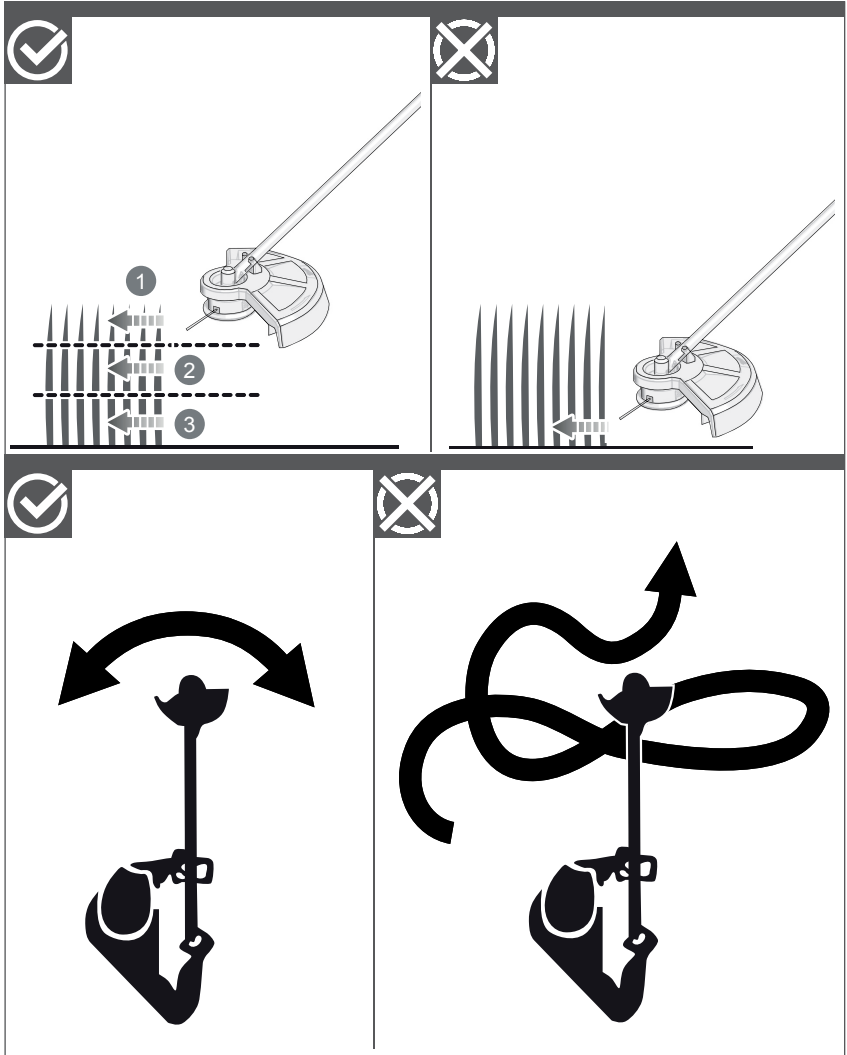
손잡이(절연 그립 표면)

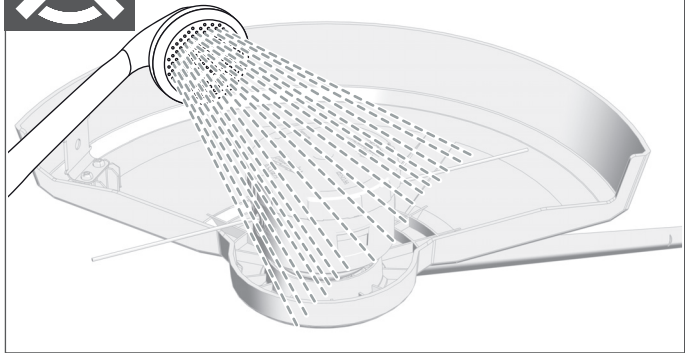
มือจับ (พื้นผิวจับกันความร้อน)

Gagang (permukaan genggam berinsulasi)

1









Grease

潤滑脂

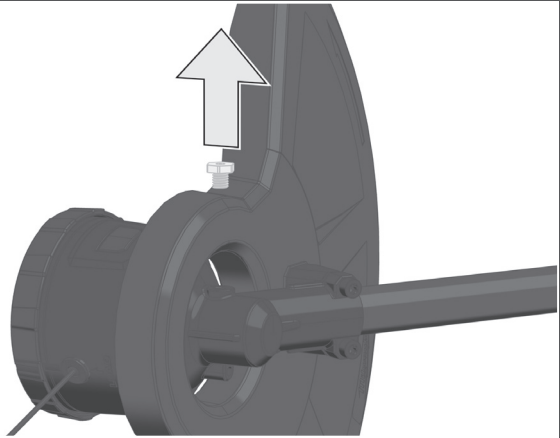
潤滑脂

그리스

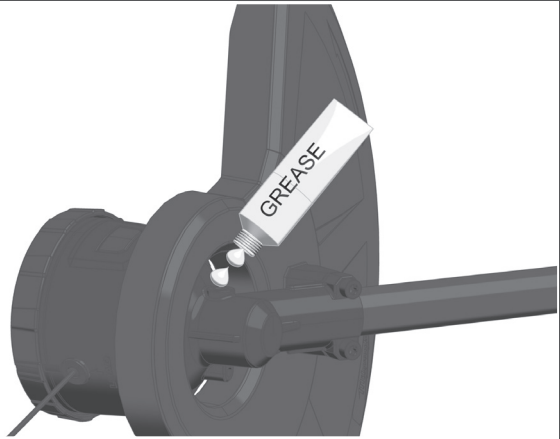
จารบี

Oli gemuk

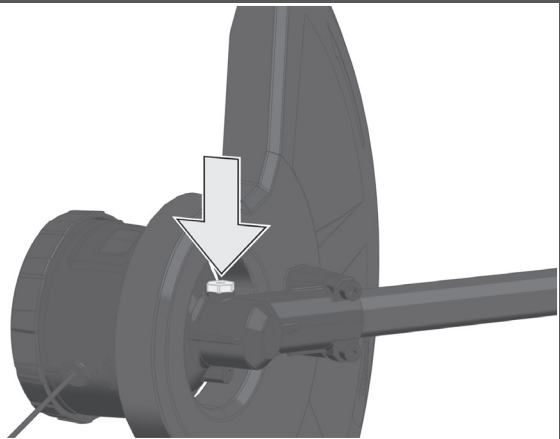
1

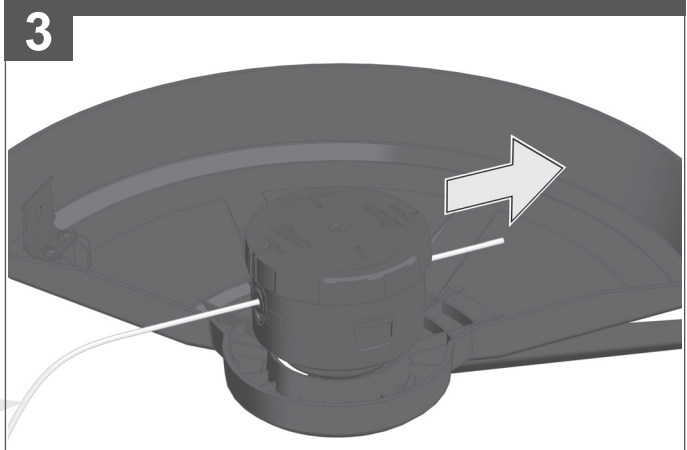
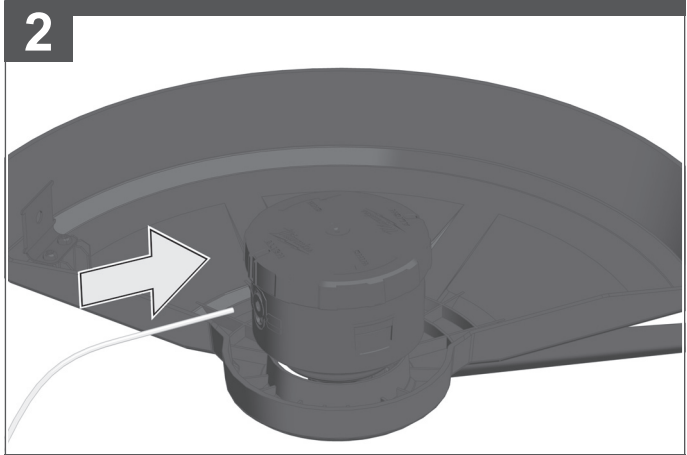
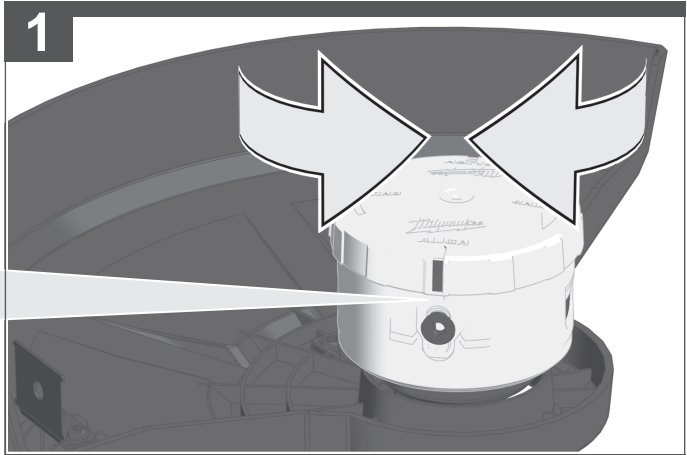
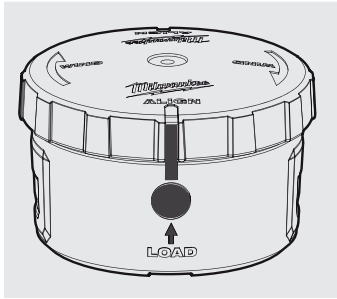


2

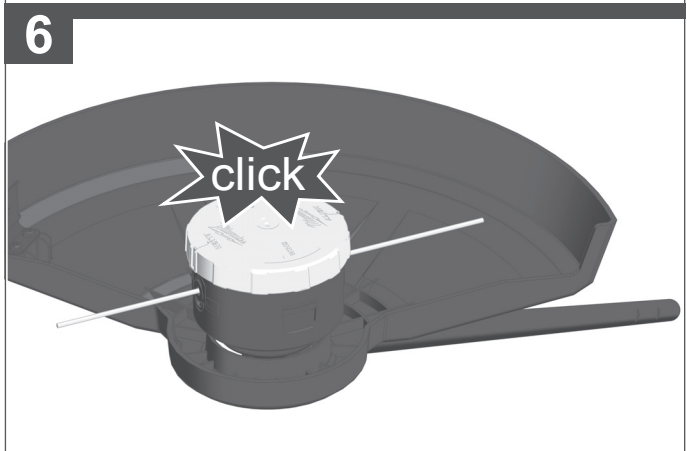
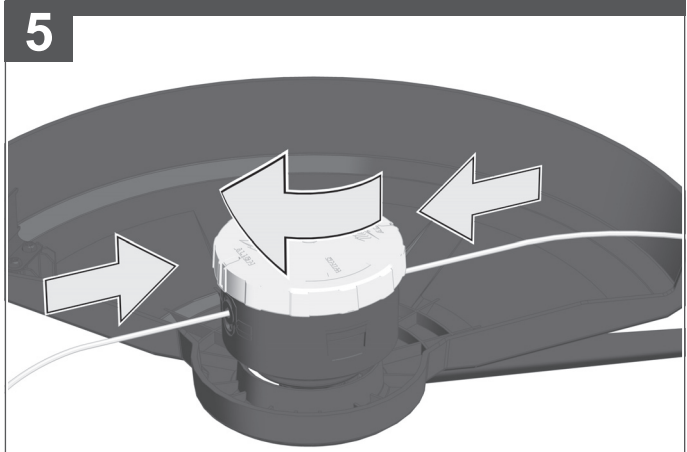
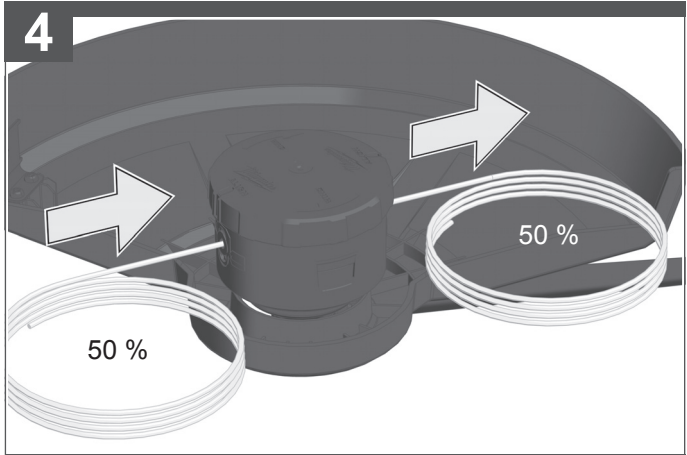


3





ø 2 mm
ø 2,4 mm





Removing the remaining line

移除剩餘的切割線

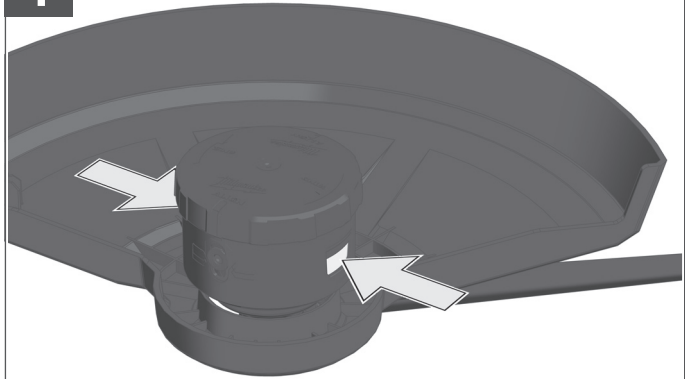
移除剩餘的切割线

나머지 라인 제거

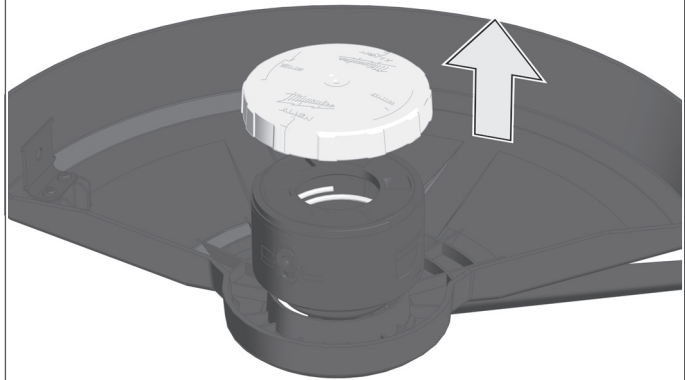
การถอดท่อดำมจับ

Menghilangkan batas yang tersisa

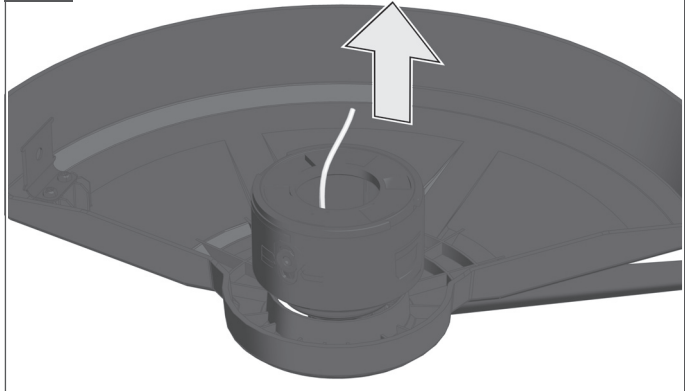
1



2



3





Accessories/Spare parts

配件/備件

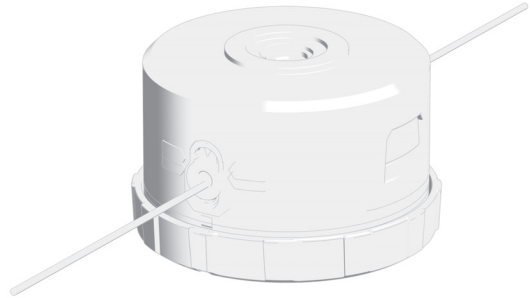
配件/备件

액세서리/부속품

อุปกรณ์เสริม/อะไหล่

Aksesori/Suku cadang

491 627 14



491 627 12
2,0 mm



491 627 13
2,4 mm



TECHNICAL DATA**M18 FOPH-LTA**

No-load speed, low speed	0–4900 min ⁻¹
No-load speed, high speed	0–6200 min ⁻¹
Maximum cutting line \varnothing	7.6m x 2mm / 6.1m x 2.4 mm
Maximum cutting capacity	400 mm
Battery voltage	18 V
Weight according EPTA-Procedure 01/2014	1.7 kg

Noise/vibration information

Measured values determined according to EN 50636/EN ISO 4871

Typically, the A-weighted noise levels of the tool are:

Sound pressure level (Uncertainty K=3 dB(A))	79 dB(A)
Sound power level (Uncertainty K=3 dB(A))	93 dB(A)

Wear ear protectors!

Total vibration values (vector sum in the three axes) determined according to EN 50636

Vibration a_h	7.5 m/s ²
Uncertainty K	2.5 m/s ²

For technical data and list of powerbases that can be used for a particular application head, refer to the operating instructions of the application head.

WARNING

The vibration emission level given in this information sheet has been measured in accordance with a standardised test given in EN 60335-1/EN 50636-2-91 and may be used to compare one product with another. It may be used for a preliminary assessment of exposure.

The declared vibration emission level represents the main applications of the product. However, if the product is used for different applications with different accessories or poorly maintained, the vibration emission may differ. This may significantly increase the exposure level over the total working period.

An estimation of the level of exposure to vibration should also take into account the times when the product is turned off or when it is running but not actually doing the job. This may significantly reduce the exposure level over the total working period.

Identify additional safety measures to protect the operator from the effects of vibration such as maintaining the product and the accessories, keeping the hands warm, and organisation of work patterns.

⚠ WARNING Read these instructions carefully and be familiar with the controls and the proper use of the product. Save all warnings and instructions for future reference.

LINE TRIMMER SAFETY WARNINGS**Training**

Read the instructions carefully. Be familiar with the controls and the proper use of the product.

Never allow children or people who are unfamiliar with these instructions to use the product. Local regulations may restrict the age of the operator.

Keep in mind that the operator or user is responsible for accidents or hazards occurring to other people or their property.

Preparation

Before use, always visually inspect the product for damaged, missing, or misplaced guards or shields.

Never operate the product while people, especially children, or pets are nearby.

Wear full eye and hearing protection while operating the product. If working in an area where there is a risk of falling objects, head protection must be worn.

Hearing protection may restrict the operator's ability to hear warning sounds, pay particular attention to potential hazards around and inside the working area.

Wear heavy, long trousers, boots, and gloves. Do not wear loose-fitting clothing, short trousers, or jewellery of any kind. Do not use the product with bare feet.

Secure long hair so it is above shoulder level to prevent entanglement in moving parts.

Operation

Keep supply and extension cords away from cutting means.

Wear eye protection and stout shoes at all times while using the product.

Use the product only in daylight or with good artificial light.

Never use the product with damaged guards or shields or without guards or shields in place.

Turn on the product only when the hands and feet are away from the cutting means.

Always remove the battery pack:

- whenever the product is left unattended
- before clearing a blockage
- before checking, cleaning, or working on the product
- after striking a foreign object
- whenever the product starts to vibrate abnormally

Take care against injury to feet and hands from the cutting means.

Always ensure that the ventilation openings are kept clear of debris.

Avoid using on wet grass.

Do not walk backwards when using the product.

Do not operate the product when there is a risk of lightning.

Do not expose the product to rain or wet conditions. Water entering the product increases the risk of electric shock.

Keep bystanders, children and pets 15 m away from the area of operation. Stop the product if anyone enters the area.

Keep the cutting attachment below waist level.

Keep hands and feet away from the cutting means at all times and especially when switching on the motor.

Beware, the cutting elements continue to rotate after the product is turned off.

Beware of objects thrown by the cutting means. Clear debris like small stones, gravel and other foreign objects from the work area before starting operation. Wires or string may become entangled with the cutting means.

The small blade fitted to the lawn guard is designed to trim the new extended line to the correct length for safe and optimum performance. It is very sharp; do not touch it particularly when cleaning the product.

Make sure that the cutting head attachment is properly installed and securely fastened.

Make sure that all guards, deflectors, and handles are properly and securely attached.

Do not modify the product in any way, this may increase the risk of injury to yourself or others.

Use only the manufacturer's replacement cutting line. Do not use any other cutting attachment.

Do not use metallic cutting means.

Immediately turn off the product and remove the battery pack in the event of accident or breakdown. Do not operate the product again until it has been fully checked by an authorised service centre.

Ensure that the cut-off blade is properly positioned and secured before each use.

Before use and after any impact, check that there are no damaged parts. A defective switch or any part that is damaged or worn should be properly repaired or replaced by an authorised service facility.

Never operate the product unless all guards, deflectors, and handles are properly and securely attached.

Consider the environment in which you are working. Keep the working area free from wires, sticks, stones, and debris, which if struck by the cutter, can become thrown objects.

Maintenance and storage

Remove the battery before carrying out maintenance or cleaning work.

Use only the manufacturer's recommended replacement parts and accessories (see page 15).

Inspect and maintain the product regularly. Have the product repaired only by an authorized repairer.

When not in use, store the product out of the reach of children.

Never fit a metal replacement line.

Stop the product and allow it to cool before storing or transporting.

Clean all foreign material from the product. Store it in a cool dry and well-ventilated place that is inaccessible to children. Keep the product away from corrosive agents such as garden chemicals and de-icing salts. Do not store the product outdoors.

For storage, always remove the battery.

For transportation, secure the product against movement or falling to prevent injury to persons or damage to the product.

ADDITIONAL SAFETY INSTRUCTIONS

Never allow children, persons with reduced physical, sensory or mental capabilities or lack of experience and knowledge or people unfamiliar with these instructions to use the product. Local regulations may restrict the age of the operator.

Remove the battery pack before starting any work on the product.

Do not dispose of used battery packs in the household refuse or by burning them. MILWAUKEE Distributors accept old batteries to protect our environment.

Do not store the battery pack together with metal objects (short circuit risk).

Use only M18 System chargers for charging M18 System battery packs. Do not use battery packs from other systems.

Battery acid may leak from damaged battery packs under extreme load or extreme temperatures. In case of contact with battery acid, wash it off immediately with soap and water. In case of eye contact, rinse thoroughly for at least 10 minutes and immediately seek medical attention.

ADDITIONAL BATTERY SAFETY WARNINGS

⚠ WARNING! To reduce the risk of fire, personal injury, and product damage due to a short circuit, never immerse your product, battery pack, or charger in fluid or allow a fluid to flow inside them. Corrosive or conductive fluids, such as seawater, certain industrial chemicals, and bleach or bleach-containing products, etc., can cause a short circuit.

RESIDUAL RISK

Even when the product is used as prescribed, it is still impossible to completely eliminate certain residual risk factors. The following hazards may arise in use and the operator should pay special attention to avoid the following:

- Injury caused by vibration. Hold the product by designated handles and restrict working time and exposure.
- Exposure to noise can cause hearing injury. Wear ear protection and limit exposure.
- Injury due to flying debris. Wear eye protection, heavy long trousers, gloves and substantial footwear at all times.

SPECIFIED CONDITIONS OF USE

The product is intended only for outdoor use by a standing operator.

The product is designed for cutting grass, light weeds, and other similar vegetation at or about ground level.

The cutting plane should be approximately parallel to the ground surface when trimming.

The product should not be used to cut or trim hedges, bushes, or other vegetation where the cutting plane is not at or about ground surface level.

Do not use the product in any other way as stated for normal use.

BATTERIES

Battery packs that have not been used for some time should be recharged before use.

Temperatures in excess of 50°C (122°F) reduce the performance of the battery pack. Avoid extended exposure to heat or sunshine (risk of overheating).

The contacts of chargers and battery packs must be kept clean. For an optimum lifetime, the battery packs have to be fully charged after use.

To obtain the longest possible battery life, remove the battery pack from the charger once it is fully charged.

For battery pack storage longer than 30 days:

- Store the battery pack where the temperature is below 27°C and away from moisture.
- Store the battery packs in a 30% - 50% charged condition.
- Every six months of storage, charge the pack as normal.

BATTERY PACK PROTECTION

The battery pack has overload protection that protects it from being overloaded and helps to ensure long life.

Under extreme stress, the battery electronics turn off the product automatically. To restart, turn the product off and then on again. If the product does not start up again, the battery pack may have discharged completely. In this case, recharge the battery pack.

TRANSPORTING LITHIUM BATTERIES

Lithium-ion batteries are subject to the Dangerous Goods Legislation requirements.

Transportation of lithium-ion batteries has to be done in accordance with local, national and international provisions and regulations.

- The user can transport the battery packs by road without further requirements.
- Commercial transport of lithium-ion batteries by third parties is subject to Dangerous Goods regulations. Transport preparation and transport are exclusively to be carried out by appropriately trained persons and the process has to be accompanied by corresponding experts.

When transporting battery packs:

- Ensure that battery contact terminals are protected and insulated to prevent short circuit.
- Ensure that battery pack is secured against movement within packaging.
- Do not transport battery packs that are cracked or leaking.

Check with forwarding company for further advice

MAINTENANCE

The ventilation slots of the product must be kept clear at all times.

Servicing requires extreme care and knowledge and should be performed only by a qualified service technician. Have the product serviced by an authorised service centre only. When servicing, use only original replacement parts.

Turn off the product and remove battery pack before conducting any maintenance or cleaning work.

You may make adjustments and repairs described in this manual. For other repairs, contact the authorised service centre.

For replacement line, use only nylon filament line of the diameter described in the specification table of this manual.

After extending new cutter line, always return the product to its normal operating position before starting.

After each use, clean the product with a soft, dry cloth. Any part that is damaged should be properly repaired or replaced by an authorised service centre.

Check all nuts, bolts, and screws at frequent intervals for proper tightness to ensure that the product is in safe working condition.

Use only MILWAUKEE accessories and spare parts. Should components that have not been described need to be replaced, contact one of our MILWAUKEE service centres (see our list of guarantee/service addresses).

If needed, an exploded view of the product can be ordered. State the product type printed as well as the serial number on the label and order the drawing at your local service centre.

SYMBOLS



CAUTION! WARNING! DANGER!



Read the instructions carefully before starting the product.



Remove the battery pack before starting any work on the product.



Wear gloves!



Wear ear protectors!



Always wear protective clothing and footwear.



Always wear goggles when using the product.



Keep bystanders a safe distance away from the product.



Do not use in the rain or leave outdoors while it is raining.



Do not use metal blades on the product.



Parts or accessories sold separately.



The guaranteed sound power level shown on this label is 96 dB(A).



Do not dispose of electric tools, battery packs together with household waste material. Electric tools and battery packs that have reached the end of their life must be collected separately and returned to an environmentally compatible recycling facility. Check with your local authority or retailer for recycling advice and collection point.

n_0

Stroke rate under no-load

V

Volts



Direct current

技術數據

M18 FOPH-LTA

無負載轉速，低速	0 - 4900 min ⁻¹
無負載轉速，高速	0 - 6200 min ⁻¹
最大的切割線長度 \varnothing	7.6m x 2mm / 6.1m x 2.4 mm
最大的切割能力(直徑)	400 mm
電池電壓	18 V
根據EPTA-Procedure 01/2014的重量	1.7 kg

噪音/振動資訊

依 EN 50636/EN ISO 4871 所測的測量值。

一般來說，本工具的A加權噪音標準為：

聲壓值(不確定性的測量 K=3 dB(A)) 79 dB(A)

聲功率級(不確定性的測量 K=3 dB(A)) 93 dB(A)

佩戴護耳器。

依EN 50636 所測的振動總值 (三軸向量總和)

振動值 a_w 7.5 m/s²

不確定性的測量 K 2.5 m/s²

請參閱快拆配件的操作說明，以取得技術數據及對應特定快拆配件的動力頭列表。

警告！

本說明書所提供的振動等級是依 EN 60335-1/EN 50636-2-91 規定的標準化測試所測得，且可能用於與另一個工具進行比較。該等級可用來初步評估風險。

宣告的振動釋放等級代表的是本產品的主要應用。然而，如果產品用於不同的應用、使用不同的配件或保養不當，振動釋放也可能不同。這可能會在總工作時間上顯著增加風險等級。

評估振動暴露的等級還應考慮本工具關機時的時間，或當工具運轉但卻未實際使用的時間。這可能會明顯降低總工作期間的風險等級。

請確認額外的安全措施，以保護操作員不受振動的影響，例如：保養產品與配件、保持手部溫暖和井然有序的工作方式。

A 警告！請仔細閱讀這些說明，熟悉控制及產品的正確使用。將所有警告和說明保存好，方便以後查閱。

割草機安全警告

訓練

請仔細閱讀說明。熟悉控制和正確使用產品的方法。

切勿讓小孩或不熟悉說明的人員使用本產品。當地法規可能會限制操作員的年齡。

當人們（尤其是兒童或者寵物）在附近時，切勿操作本產品。

請緊記如對其他人或其所有物造成意外或危險，操作者或使用者須為此負責。

準備

使用前，請務必目測產品是否損壞、丟失或誤置了防護裝置或防護罩。

切勿在附近有人，尤其是兒童，或寵物時操作產品。

操作產品時，佩戴全面的眼睛和聽力保護。如果工作區域存在高空墜物的危機，必須佩戴頭部保護裝置。

使用聽力保護裝備會降低聽到警示的能力，操作人員必須格外注意工作區域發生的各種情況。

穿著厚的長褲、靴子和手套。不要穿寬鬆的衣服，短褲或任何類型的首飾。切勿赤腳下操作產品。

束起長髮，使其高於肩膀水平，以防止纏結於運動部件。

操作

保持電源線和延長線遠離切割裝置。當操作產品時，務必佩戴護目鏡及穿著堅固的鞋。

只能在日光或人造光線下使用產品。

切勿使用帶損壞的保護裝置或防護罩，或沒有防護裝置或防護罩的產品。

只有手腳遠離切割工具時，才能啟動產品。

務必關掉產品並取出電池組：

- 當產品無人看管時；
- 在清理堵塞之前；
- 檢查、清潔或使用產品前；
- 撞擊異物後；
- 當產品開始異常振動。

注意切割工具對腳和手的傷害。

務必確保通風口保持無異物。

避免在濕草上使用。

使用本產品時，不要向後走。

當有閃電危險時，不要操作本產品。

請勿將本產品暴露在雨中或潮濕的環境中。當水進入產品內，

便會增加觸電的風險。

讓所有旁觀者、兒童和動物至少距離工作區域15米。如果任何人進入工作區域，請停止產品。

將切割配件保持在腰部以下。

務必將手和腳保持遠離切割裝置，尤其是在打開電機時。

請注意產品關閉後，切割元件會繼續旋轉。

小心切割裝置拋出的物體。開始操作之前，清除工作範圍的碎片如小石頭，碎石和其他異物。電線或切割繩可能與切割裝置纏結。

安裝到防護罩的小刀片設計用於將新的延長線修剪到正確的長度，以達到安全和最佳性能。它是非常鋒利，不要觸摸它，特別是當清潔產品。

確保切割頭配件已正確安裝，並牢固地固定。

確保所有防護和變流裝置以及手柄均正確牢固地連接。

不要以任何方式修改產品，這可能增加對自己或他人造成傷害的風險。

僅使用製造商的切割替換線。不要使用其他切割配件。

不要使用金屬切割裝置。

在發生事故或故障時，立即關閉並取出電池組。在授權的服務中心徹底地完成檢查前，不要再次操作本產品。

在每次使用前，確保切割刀片都正確地定位和固定。

在使用之前和任何衝擊後，檢查有沒有損壞的部件。故障的開關、所有損壞或磨損的部件應由授權的服務中心進行適當的維修或更換。

除非所有防護裝置、變流裝置和手柄均正確牢固地連接，否則切勿操作本產品。

考慮你的工作環境。保持工作區域沒有電線、棒、石頭和碎屑。如果被切割裝置撞擊，它們可能會成為拋出物體。

維修及存放

在進行維護或清潔工作之前，請取出電池。

僅使用製造商建議的更換部件和配件（參考第15頁）。

定期檢查和保養產品。僅由授權維修人員修理產品。

不使用時，將產品存放在兒童接觸不到的地方。

切勿裝配金屬替換線。

存放或運輸前，停止產品，並讓它冷卻。

清潔產品中的所有異物。產品應存放在陰涼乾燥、通風良好而且兒童不可進入的地方。遠離腐蝕劑（如花園化學品和除冰鹽）。

存放時，請務必取出電池。

運輸時，請確保產品不會移動或跌落，以防止造成人身傷害或產品損壞。

附加的安全說明

不要讓兒童、身體、感覺或精神能力下降的人員或缺乏經驗及知識的人，或不熟悉這些指示的人使用產品。當地法規可能會限制操作員的年齡。

在產品上開始任何工作之前，請先取出電池組。

勿將用過的電池組與家庭廢棄物混合或燃燒電池。MILWAUKEE經銷商將接受舊電池以保護環境。

勿將電池組與其他金屬物品一起存放（可能引起短路）。

僅可使用M18系統充電器對M18系統電池進行充電。請勿使用其他系統的電池。

在極端負載或極端溫度下，損壞的電池可能漏出內部酸液。若接觸到電池酸液，請即刻用肥皂與清水洗去。若酸液接觸到眼睛，以清水沖洗至少10分鐘後立即就醫。

附加電池安全警告

A 警告！為了減少因短路而導致火災、人身傷害和產品損壞的風險，請勿將產品、電池組或充電器浸沒在流體中或使流體流入其中。腐蝕性或導電性流體（如海水、某些工業化學品、以及漂白劑或含漂白劑的產品等）都會導致短路。

殘餘風險

即便已按規定使用產品，仍然不能完全消除某些殘留的風險因素。可能會引起以下危險，操作人員應特別注意以避免發生以下情況：

- 可能因振動造成的傷害。用指定的手柄握住產品，並限制工作時間及暴露。
- 因接觸噪聲導致聽力傷害。佩戴耳罩和限制暴露於噪音中。
- 因工作拋出的碎屑導致的傷害。務必佩戴防護眼鏡，重型長褲、手套及結實的鞋類。

特定使用條件

本產品僅供常規操作員在戶外使用。

該產品設計用於在地面或附近切割草、輕的雜草和其他相似接近地平的植被。

修剪時，切割平面應接近平行於地面。

產品不應用於切割或修剪樹籬、灌木或其他不在或接近地面的植被。

切勿將本產品用於正常使用之外的其他用途。

電池

久未使用的電池必須重新充電後再使用。

超過 50° C (122° F) 的高溫會降低電池的效能。避免暴露於高溫或陽光下(可能導致過熱)。

充電器和電池組的接觸點應保持清潔。

為確保最佳電池使用壽命，電池組使用後應再完全充電。

為確保電池的最長壽命，充電完成後，勿將電池匣繼續留在充電器上。

電池儲存時間長於30日：

- 將電池組存放於溫度低於27° C的環境，且避免受潮。
- 將電池組保持在充電量30%-50%的狀態。
- 存放中的電池組應每六個月照常充電一次。

電池保護

電池有過載保護系統，防止過載及確保長的電池壽命。

在極端的壓力下，電池電子設備會自動關閉產品。關閉及啟動本產品，以重新啟動。如果產品未能重新啟動，電池可能已經完全地放電。在這種情況下，請為電池組充電。

運輸鋰電池

鋰電池須受制於危險品法例的要求。

運送鋰電池必須在符合當地、國家及國際標準及法例的情況下進行。

- 使用者可於陸地上運送電池而毋須受限。
- 第三方負責的商業式鋰電池運送須受制於危險品法例。運送的預備及過程必須由受嚴格訓練的人士進行，亦必須得到專家在場監管。

運輸電池組時：

- 請確保電池接觸端受到嚴密保護及經過絕緣，防止短路。

- 請確保電池組妥善包裝，防止碰撞磨擦。
 - 請勿運輸破裂或洩漏的電池組。
- 與貨運公司緊密聯繫以獲得進一步資訊。

維護

本產品的通風孔必須時刻保持暢通。

維修需要極其謹慎和知識，應僅由合格的維修技術人員執行。只能由授權的服務中心維修產品。維修時，只能使用原裝備件。

在進行任何維護或清潔工作前，請關掉產品並取出電池組。

您只能按本手冊中的指示進行調整或修理。如需其他維修服務，請聯繫授權服務代理。

如需更換線，只能使用本說明書內技術數據中所述尼龍絲線的直徑。

在延長新的切割線後，務必於啟動產品前將產品返回到其正常操作位置。

每次使用後，用柔軟的乾布清潔產品。損壞的部件應妥善維修或由MILWAUKEE維修站更換。

經常檢查所有螺母、螺栓和螺釘是否緊固，以確保產品處於安全工作狀態。

只能使用 MILWAUKEE 配件和備件。有關合適的噴霧產品的信息，請與其中一個MILWAUKEE服務代理機構聯繫（參見我們的維修/服務地址列表）。

如果需要，可以索取產品的分解圖。諮詢案件時，請您向當地的顧客服務中心提供以下資料：銘牌上的產品序列號及機型。

符號



注意！警告！危險！



啟動產品前，請仔細閱讀本說明。



在產品上開始任何工作之前，請先取出電池組。



佩戴手套。



佩戴護耳器。



務必穿著防護服和鞋類。



使用本產品時務必佩戴護目鏡。



旁觀者跟產品須保持安全距離。



請勿在雨中使用或丟棄產品。



不要在產品上使用金屬刀片。



單獨出售的零件或附件。



此標籤上顯示認證的聲壓率級為96 dB。



不要將電動工具與家庭垃圾材料一起處置。當電動工具和電池達到使用壽命時，必須單獨收集，並送至環保回收機構。請與當地相關部門或經銷商聯繫，了解回收建議和收集地點。

n_0

在無負載轉速下的衝擊頻率

V

伏特



直流電

技术数据

M18 FOPH-LTA

无负载转速, 低速	0 - 4900 min ⁻¹
无负载转速, 高速	0 - 6200 min ⁻¹
最大的切割线长度 \varnothing	7.6m x 2mm / 6.1m x 2.4 mm
最大的切割容量	400 mm
电池电压	18 V
根据EPTA-Procedure 01/2014的重量	1.7 kg

噪音/振动信息

根据 EN 50636/EN ISO 4871 条文确定的测量值。

器械的标准A-值噪音级为:

声压值(不确定性的测量 K=3 dB(A))	79 dB(A)
声功率值(不确定性的测量 K=3 dB(A))	93 dB(A)

佩戴护耳器。

依欧盟 EN 50636 标准确定的振动总值(三方向矢量和)。

振动值 a_h	7.5 m/s ²
不确定性的测量 K=	2.5 m/s ²

请参阅应用头的操作说明, 以取得技术数据及对应特定应用头的列表。

警告!

本规程列出的依欧盟 EN 60335-1/EN 50636-2-91 标准测量方法测量的振动级也可用于电动工具比较并适合于临时振动负荷估计。该等级可用来初步评估风险。

该振动级代表产品的主要应用。电动工具的其他应用, 不正确的工具附件或欠缺维护可造成振动级偏差。此可明显提高工作期间的振动程度。

正确地估计一定工作期间的振动程度也要考虑到产品关闭或接通而不使用的期间。此可明确减少总工作期间的振动程度。

为提高操作人员对振动作用的保护得规定补充安全措施: 产品及工具附件的维护、温手、工作过程组织等。

警告! 请仔细阅读这些说明, 熟悉控制及产品的正确使用。保存所有警告和说明书以备查阅。

割草机安全警告

训练

请仔细阅读说明。熟悉控制和正确使用产品的方法。

切勿让小孩或不熟悉说明的人员使用本产品。当地法规可能会限制操作员的年龄。

当人们(尤其是儿童或者宠物)在附近时, 切勿操作本产品。

请紧记如对其他入或其所有物造成意外或危险, 操作者或使用须为此负责。

准备

使用前, 请务必目测产品是否损坏、丢失或误置了防护装置或防护罩。

切勿在附近有人, 尤其是儿童, 或宠物时操作产品。

操作产品时, 佩戴全面的眼睛和听力保护。如果工作区域存在高空坠物的危机, 必须佩戴头部保护装置。

使用听力保护装备会降低听到警示的能力, 操作人员必须格外注意工作区域发生的各种情况。

穿着厚的长裤、靴子和手套。不要穿宽松的衣服, 短裤或任何类型的首饰。切勿赤脚下操作产品。

束起长发, 使其高于肩膀水平, 以防止缠结于运动部件。

操作

保持电源线和延长线远离切割装置。当操作产品时, 务必佩戴护目镜及穿着坚固的鞋。

只能在日光或人造光线下使用产品。

切勿使用带损坏的保护装置或防护罩, 或没有防护装置或防护罩的产品。

只有手脚远离切割工具时, 才能启动产品。

务必关掉产品并取出电池组:

- 当产品无人看管时;
- 在清理堵塞之前;
- 检查、清洁或使用产品前;
- 撞击异物后;
- 当产品开始异常振动。

注意切割工具对脚和手的伤害。

务必确保通风口保持无异物。

避免在湿草上使用。

使用本产品时, 不要向后走。

当有闪电危险时, 不要操作本产品。

请勿将本产品暴露在雨中或潮湿的环境中。当水进入产品内, 便会增加触电的风险。

让所有旁观者、儿童和动物至少距离工作区域15米。如果有人进入工作区域, 请停止产品。

将切割配件保持在腰部以下。

务必将手和脚保持远离切割装置，尤其是在打开电机时。

请注意产品关闭后，切割元件会继续旋转。

小心切割装置抛出的物体。开始操作之前，清除工作范围的碎片如小石头，碎石和其他异物。电线或切割绳可能与切割装置缠绕。

安装到防护罩的小刀片设计用于将新的延长线修剪到正确的长度，以达到安全和最佳性能。它是非常锋利，不要触摸它，特别是当清洁产品。

确保切割头配件已正确安装，并牢固地固定。

确保所有防护和变流装置以及手柄均正确牢固地连接。

不要以任何方式修改产品，这可能增加对自己或他人造成伤害的风险。

仅使用制造商的切割替换线。不要使用其他切割配件。

不要使用金属切割装置。

在发生事故或故障时，立即关闭并取出电池组。在授权的服务中心彻底地完成检查前，不要再次操作本产品。

在每次使用前，确保切割刀片都正确地定位和固定。

在使用之前和任何冲击后，检查有没有损坏的部件。故障的开关、所有损坏或磨损的部件应由授权的服务中心进行适当的维修或更换。

除非所有防护装置、变流装置和手柄均正确牢固地连接，否则切勿操作本产品。

考虑你的工作环境。保持工作区域没有电线、棒、石头和碎屑。如果被切割装置撞击，它们可能会成为抛出物体。

维修及存放

在进行维护或清洁工作之前，请取出电池。

仅使用制造商建议的更换部件和配件（参考第15页）。

定期检查和保养产品。仅由授权维修人员修理产品。

不使用时，将产品存放在儿童接触不到的地方。

切勿装配金属替换线。

存放或运输前，停止产品，并让它冷却。

清洁产品中的所有异物。产品应存放在阴凉干燥、通风良好而且儿童不可进入的地方。远离腐蚀性（如花园化学品和除冰盐）。

存放时，请务必取出电池。

运输时，请确保产品不会移动或跌落，以防止造成人身伤害或产品损坏。

附加的安全说明

不要让儿童、身体、感觉或精神能力下降的人员或缺乏经验及知识的人，或不熟悉这些指示的人使用产品。当地法规可能会限制操作员的年龄。

在产品上开始任何工作之前，请先取出电池组。

勿将用过的电池组与家庭废弃物混合或燃烧电池。美沃奇经销商将接受旧电池以保护环境。

勿将电池组与其他金属物品一起存放（可能引起短路）。

仅可使用M18系统充电器对M18系统电池进行充电。请勿使用其他系统的电池。

在极端负载或极端温度下，损坏的电池可能漏出内部酸液。若碰到电池酸液，请即刻用肥皂与清水洗去。若酸液接触到眼睛，以清水冲洗至少10分钟后立即就医。

附加电池安全警告

⚠ 警告！为了减少因短路而导致火灾、人身伤害和产品损坏的风险，请勿将产品、电池组或充电器浸没在流体中或使流体流入其中。腐蚀性或导电性流体（如海水、某些工业化学品、以及漂白剂或含漂白剂的产品等）都会导致短路。

残余风险

即便已按规定使用产品，仍然不可能完全消除某些残留的风险因素。可能会引起以下危险，操作人员应特别注意以避免发生以下情况：

- 可能因振动造成的伤害。用指定的手柄握住产品，并限制工作时间及暴露。
- 因接触噪声导致听力伤害。佩戴耳罩和限制暴露于噪音中。
- 因工作抛出的碎屑导致的伤害。务必佩戴防护眼镜，重型长裤、手套及结实的鞋类。

指定的使用条件

本产品仅供常规操作员在户外使用。

该产品设计用于在地面或附近切割草、轻的杂草和其他相似接近地平的植被。

修剪时，切割平面应接近平行于地面。

产品不应用于切割或修剪树篱、灌木或其他不在或接近地面的植被。

请勿以正常使用的任何其他方式使用本产品。

电池

久未使用的电池必须重新充电后再使用。

超过 50° C (122° F) 的高温会降低电池的效能。避免暴露于高温或阳光下(可能导致过热)。

充电器和电池组的接点处应保持清洁。

为确保最佳电池使用寿命，电池组使用后应再完全充电。

为确保电池的最长寿命，充电完成后，勿将电池继续留在充电器上。

电池储存时间长于30日：

- 将电池组存放于温度低于27° C的环境，且避免受潮。
- 将电池组保持在充电量30%-50%的状态。
- 存放中的电池组应每六个月照常充电一次。

电池保护

电池有过载保护系统，防止过载及确保长的电池寿命。

在极端的压力下，电池电子设备会自动关闭产品。关闭及启动本产品，以重新启动。如果产品未能重新启动，电池可能已经完全地放电。在这种情况下，请为电池组充电。

运输锂电池

锂电池须受制于危险品法例的要求。

运送锂电池必须在符合当地、国家及国际标准及法例的情况下进行。

- 使用者可于陆地上运送电池而毋须受限。
- 第三方负责的商业式锂电池运送须受制于危险品法例。运送的预备及过程必须由受严格训练的人士进行，亦必须得到专家在场监管。

运输电池组时：

- 请确保电池接触终端受到严密保护及经过绝缘，防止短路。
- 请确保电池组妥善包装，防止碰撞摩擦。
- 请勿运输破裂或泄漏的电池组。

与货运公司紧密联系以获得进一步资讯。

维护

本产品的通风孔必须时刻保持畅通。

维修需要极其谨慎和知识，应仅由合格的维修技术人员执行。只能由授权的服务中心维修产品。维修时，只能使用原装备件。

在进行任何维护或清洁工作前，请关掉产品并取出电池组。

您只能按本手册中的指示进行调整或修理。如需其他维修服务，请联系授权服务代理。

如需更换线，只能使用本说明书内技术数据中所述尼龙丝线的直径。

在延长新的切割线后，务必于启动产品前将产品返回到其正常操作位置。

每次使用后，用柔软的干布清洁产品。损坏的部件应妥善维修或由美沃奇维修站更换。

经常检查所有螺母、螺栓和螺钉是否紧固，以确保产品处于安全工作状态。

只能使用美沃奇配件和备件。有关合适的喷雾产品的信息，请与其中一个美沃奇服务代理机构联系（参见我们的维修/服务地址列表）。

如果需要，可以索取产品的分解图。咨询零件时，请向您的顾客服务中心提供以下资料：铭牌上的产品序列号和机型。

符号



注意！警告！危险！



启动产品前，请仔细阅读本说明。



在产品上开始任何工作之前，请先取出电池组。



佩戴手套。



佩戴护耳器。



务必穿着防护服和鞋类。



使用本产品时务必佩戴护目镜。



旁观者跟产品须保持安全距离。



请勿在雨中或使用或丢弃产品。



不要在产品上使用金属刀片。



单独出售的零件或附件。



此标签上显示认证的声压级为96 dB。



不要将电动工具与家庭垃圾材料一起处置。当电动工具和电池达到使用寿命时，必须单独收集，并送至环保回收机构。请与当地相关部门或经销商联系，了解回收建议和收集地点。

n_0

在无负载转速下的冲击频率

V

伏特



直流电

무부하 속도 (저속)	0-4900 min ⁻¹
무부하 속도 (고속)	0-6200 min ⁻¹
최대 절단선 ø	7.6m x 2mm / 6.1m x 2.4 mm
최대 절단 용량	400 mm
배터리 전압	18 V
EPTA 규정 01/2014에 따른 중량	1.7 kg

소음/진동 정보

EN 50636/EN ISO 4871에 따라 판별한 측정 값.

일반적인 톨의 A-가중 소음 레벨:

음압 레벨(불확정 K=3dB(A))	79 dB(A)
음향 파워 레벨(불확정 K=3dB(A))	93 dB(A)

귀마개를 착용하십시오!

EN 50636에 따라 판별한 전체 진동 값(3개 축의 벡터 합계).

진동 a _h	7.5 m/s ²
불확정성 K	2.5 m/s ²

특정 애플리케이션 헤드에 사용 가능한 기술 데이터 및 파워베이스 목록은 애플리케이션 헤드 작동 지침을 참조하십시오.

경고!

본 정보 시트에 제공되어 있는 진동 배출 레벨은 EN 60335-1/EN 50636-2-91에 제공된 표준 시험 절차에 따라 측정되었으며 이를 사용하여 제품을 서로 비교할 수 있습니다. 예비 노출 평가에 이를 사용할 수도 있습니다. 제시된 진동 배출 레벨은 제품에 가해진 주요 진동을 나타냅니다. 하지만 다른 부속품이 있거나 적절히 유지 관리되지 않은 다른 응용 기기에 제품을 사용할 경우, 진동 배출이 다를 수 있습니다. 이는 전체 작동 시간 동안 노출 레벨을 상당히 증가시킬 수 있습니다. 진동 노출 추정 레벨은 제품 전원 차단 시점 또는 제품이 작동하지만 실제로 작업을 수행하지 않을 때 최소로 고려합니다. 이는 전체 작동 시간 동안 노출 레벨을 상당히 감소시킬 수 있습니다. 추가적인 안전 조치를 파악하여 제품 및 부속품을 유지 관리, 손을 따뜻하게 유지 및 작업 패턴 구성 등 진동 효과로부터 작업자를 보호하십시오.

⚠ 경고! 이 지시사항을 주의하여 읽고 제품 제어 및 올바른 사용 방법에 익숙해져야 합니다. 향후 참조할 수 있도록 경고 문구와 설명서를 잘 보관해 두십시오.

라인 트리머 안전 경고

교육

설명서를 자세히 읽어 제품의 올바른 사용법을 숙지하십시오. 어린이 또는 사용법을 숙지하지 않은 사람은 제품을 사용하지 않도록 하십시오. 현지 규정에 따라 작업자의 연령이 제한될 수 있습니다.

다른 사람이나 재산에 대해 발생할 수 있는 사고나 위험에 대한 책임은 작업자나 사용자에게 있음을 명시하십시오.

준비

사용 전, 항상 제품에 손상, 누락 또는 잘못된 가드 또는 실드가 있는지 육안으로 검사하십시오.

사람들, 특히 어린이나 반려동물들이 가까이 있을 때에는 절대 기계를 작동하지 마십시오.

보안경과 청력 보호구를 완벽히 착용하고 본 제품을 작동하십시오. 낙하물이 발생할 위험이 있는 곳에서 작업할

경우에는 안전모를 착용해야 합니다.

청력 보호구를 착용한 작업자는 경고음이 울릴 때 자칫 제대로 듣지 못할 수도 있으므로, 작업 구역 주변과 내부에서 발생할 수 있는 위험에 각별히 주의하십시오.

두껍고 긴 바지와 부츠, 장갑을 착용하십시오. 헐렁한 옷, 짧은 바지, 일체의 귀금속류를 착용하지 마십시오. 맨발인 상태에서 제품을 사용하지 마십시오.

긴 머리카락은 어깨 높이 위로 오도록 묶거나 올려 고정하여 자칫 움직이는 부품에 말려들지 않게 하십시오.

작동

전원 코드와 연장 코드는 절단부에서 안전한 거리만큼 떨어뜨려 놓으십시오.

장비 작동 중에는 항상 보안경과 튼튼한 안전화를 착용하십시오.

주간이나 인공 조명 조명이 양호한 조건에서만 장비를 사용하십시오.

가드나 실드가 손상된 상태이거나 가드나 실드가 제자리에 없는 장비는 절대로 작동하지 마십시오.

손과 발이 절단부에서 충분히 떨어져 있을 때만 제품을 켜십시오.

다음과 같은 경우에는 항상 배터리를 분리하십시오:

- ● 제품을 방치할 때
- ● 장애물을 제거할 때
- ● 제품의 정검, 청소, 또는 제품 사용 전
- ● 이물질이 빠낼 때
- ● 제품이 비정상적으로 진동하기 시작할 때

절단부에 손발이 다치지 않도록 주의하십시오.
 항상 환기구에 파편이나 이물질이 없도록 관리하십시오.
 젖은 잔디에는 사용하지 마십시오.

제품을 사용하면서 뒤로 걸지 마십시오.
 번개가 칠 위험이 있을 때는 제품을 작동하지 마십시오.
 제품을 빗물이나 습기 찬 환경에 노출하지 마십시오. 기기에 물이 들어가면 감전 위험이 높아지기 때문입니다.

다른 사람이나 어린이, 애완동물은 작업 구역에서 15미터 이상 떨어져도록 하십시오. 누군가 그 범위 내로 접근하면 제품의 작동을 멈추십시오.

절단 손치부는 허리 높이 아래에 오도록 하십시오.
 항상 손발이 절단부에서 충분히 멀리 떨어져 있도록 주의하고, 특히 모터를 켤 때는 이 점에 더욱 유의하십시오.

제품을 켜면 절단 부품 요소는 계속 회전한다는 점에 주의하십시오.

절단부에서 떨어지는 물체에 주의하십시오. 작업할 구역에서 작은 돌, 자갈, 기타 이물질 등을 치운 후에 작동을 시작하십시오. 와이어나 줄이 절단부에 엉킬 수 있으므로 주의하십시오.

잔디 가드에 장착된 작은 날은 안전하게 작업하고 최적의 성능을 발휘할 수 있도록 알맞은 길이에 맞춰 새로 자라난 부분을 깎아 다듬기 위한 것입니다. 이 날은 무척 날카로우므로, 특히 제품을 청소할 때 손대지 마십시오.

절단 헤드 부착물이 올바르게 장착되어 안전하게 고정되어 있는지 확인하십시오.

모든 가드, 디플렉트 및 핸들이 올바르게 안전하게 부착되어 있는지 확인하십시오.

어떤 식으로든 제품을 개조하면 안 됩니다. 무단으로 개조할 경우 사용자 자신이나 다른 사람을 다치게 할 위험이 높아질 수 있습니다.

제조업체에서 공급하는 교체용 절단선만 사용하십시오. 다른 절단 장치는 사용하지 마십시오.

금속 절단 재료를 사용하지 마십시오.
 사고나 고장 발생 시에는 즉시 제품을 끄고 배터리 팩을 분리하십시오. 공인 서비스 센터에서 완벽히 점검받은 후에만 제품을 다시 작동하십시오.

매번 사용할 때마다 절단 날이 올바른 위치에 확실히 고정되어 있는지 확인한 후 사용하십시오.

사용하기 전과 제품에 충격이 가해진 경우 손상된 부품이 없는지 점검하십시오. 스위치에 결함이 있거나 손상되거나 마모된 부품이 있으면 공인 서비스 센터에서 수리 또는 교체 서비스를 받아야 합니다.

모든 가드, 디플렉트 및 핸들이 올바르게 안전하게 부착되어 있지 않으면 절대로 제품을 작동하지 마십시오.

작업할 환경을 꼼꼼히 살펴보고 잘 판단하십시오. 작업 구역에 와이어, 작대기, 돌멩이, 파편 등과 같이 커터에 부딪혀 비산할 수 있는 방해물이 있는지 살펴보고 모두 치운 후 작업하십시오.

유지 관리 및 보관
 유지 관리 또는 청소 작업을 하려면 먼저 배터리부터 분리하십시오.

제조업체에서 권장하는 교체용 부품과 부속품만 사용하십시오. (15 페이지 참조)

장비를 정기적으로 점검하고 정비하십시오. 정비 수리는 공인 수리점에서만 받으십시오.

사용하지 않을 경우 장비를 어린이 손이 닿지 않는 안전한 곳에 보관하십시오.

급속 교체용 라인을 장착하지 마십시오.

제품 작동을 멈추고 충분히 식힌 후에 보관하거나 운송하십시오.

제품에 있는 모든 이물질을 청소하십시오. 어린이의 손이 닿지 않고, 서늘하고 건조하고 통풍이 잘되는 곳에 제품을 보관하십시오. 조경용 화학 물질이나 제빙염과 같은 부식성 물질에서 떨어진 곳에 보관하십시오. 실외에 보관하지 마십시오.

항상 배터리를 분리한 상태로 보관하십시오.

운송하려면 제품이 움직이거나 떨어지지 않도록 잘 고정하여 사람이 다치거나 제품이 손상되지 않도록 조치하십시오.

추가 안전 지침

어린이, 신체, 총동 장애 또는 정신 질환이 있거나 경험과 지식이 부족한 개인 또는 장비 사용 방법을 모르는 개인은 이 전동 공구를 사용할 수 없습니다. 현지 규정에 따라 작업자의 연령이 제한될 수 있습니다.

제품 사용 전, 배터리 팩을 제거하십시오. 제거하십시오.

사용된 배터리 팩을 가정용 쓰레기와 함께 폐기하거나, 태우지 마십시오. 밀워키는 환경 보호를 위해 오래된 배터리 팩을 회수하는 것을 권장합니다.

배터리 팩을 금속 물체와 함께 보관하지 마십시오(단락 회로 위험).

System M18 배터리 팩을 충전하려면 System M18 충전기만 사용하십시오. 다른 시스템의 배터리 팩을 사용하지 마십시오.

극심한 부하 또는 극심한 온도 조건에서 손상된 배터리로부터 배터리 산이 누출될 수 있습니다. 배터리 산과 접촉한 경우, 비누물로 즉시 세척하십시오. 눈과 접촉할 경우, 최소 10분 동안 철저히 세정한 후 즉각적인 의료 조치를 취하십시오.

추가 배터리 안전 주의 사항

⚠ 경고! 단락 회로로 인한 화재, 작업자 부상 및 제품 손상 위험을 줄이려면 늘, 배터리 팩 또는 충전기를 유체에 침수시키거나 유체가 내부로 흘러들어가지 않도록 해야 합니다. 해수, 특정한 산업용 화학 물질 및 표백제 또는 표백제 함유 제품 같은 부식성 또는 전도성 유체 등은 단락 회로를 야기할 수 있습니다.

잔여 위험

제품을 설명서대로 사용하더라도 위험 요소를 완전히 제거하는 것은 여전히 불가능합니다.

사용 중에 다음과 같은 위험이 발생할 수 있으며, 작업자는 위험 상황을 피하기 위해 특별한 주의를 기울여야 합니다.

- 진동으로 인한 부상이 생길 수 있습니다. 이에 손잡이를 잘잡고, 작업시간과 노출을 제한하십시오.
- 소음에 노출되면 청력 손상을 입을 수 있습니다. 청력 보호구를 착용하고 소음에 대한 노출을 제한하십시오.
- 비산하는 파편으로 인한 부상 항상 눈 보호 장치, 길이가 긴 바지, 장갑 및 안전화를 착용하십시오.

지정된 사용 조건

본 제품은 작업자가 선 자세로 실외에서만 사용하도록 되어 있습니다.

지면 높이나 그에 가까운 높이에서 잔디, 억새지 않은 잡초, 기타 유사한 식물을 자를 수 있도록 설계된 제품입니다.

풀을 깎아낼 때 절단면이 지면과 대체로 평행을 이루도록 해야 합니다.

절단면이 지면이나 그 근처의 높이에 있지 않은 산물다리, 관목 또는 기타 식물을 자르거나 다듬는 용도로 제품을 사용하면 안 됩니다.

이 제품을 정상적인 사용법 이외의 방법으로 사용하지 마십시오.

배터리

장시간 사용하지 않은 배터리 팩은 사용하기 전에 충전해야 합니다.

50°C(122°F)를 초과하는 온도는 배터리 팩의 성능을 저하시킵니다. 열이나 햇볕에 오래 노출시키지 마십시오(과열 위험).

충전기 점접 및 배터리 팩을 청결한 상태로 유지해야 합니다.

최적의 수명을 보장하려면 사용한 후에 배터리 팩을 완전히 충전해야 합니다.

배터리 수명을 최대한 연장하려면 완전히 충전된 경우 충전기에서 배터리 팩을 제거하십시오.

30일 이상 배터리 팩을 보관하는 경우:

- 온도가 27°C 이하이며 습기가 없는 장소에 배터리 팩을 보관하십시오.
- 배터리 팩을 30% - 50% 충전된 조건으로 보관하십시오.
- 보관한지 6개월이 경과할 때마다 팩을 정상적으로 충전하십시오.

배터리 팩 보호

배터리 팩에는 과부하를 방지하고 오랜 수명을 보장하는 데 도움이 되는 과부하 보호 장치가 포함되어 있습니다.

배터리 전자 제품은 극심한 응력이 가해진 상태에서 제품을 자동으로 끕니다. 다시 시동하려면 제품 전원을 차단한 후 다시 켜십시오. 장비가 재시동되지 않는다면, 배터리 팩이 완전 방전되었기 때문일 수 있습니다. 이 경우, 배터리팩을 재충전하십시오.

리튬 배터리의 운송

리튬 이온 배터리는 위험물 법을 요건의 적용을 받습니다.

리튬 이온 배터리는 지역, 국가 및 국제 조항 및 규정에 따라 운반해야 합니다.

- 사용자는 추가 요건 없이 배터리를 도로를 통해 운반할 수 있습니다.
- 제3자가 리튬 이온 배터리를 상용으로 운송할 때에는 위험물 규정의 적용을 받습니다. 운송 준비 및 운송 작업은 적절히 교육을 이수한 개인만 수행해야 하고 그 과정에 해당 전문가가 동행해야 합니다.

배터리 운송 시 :

- 배터리 접촉면을 보호 및 차단하여 합선 위험을 방지하십시오.
- 배터리 팩이 포장 내에서 움직이지 않도록 고정하십시오.
- 균열 또는 누출이 있는 배터리는 운송하지 마십시오.

추가 지침은 운송 회사에 확인하십시오.

유지 관리

제품의 통기구를 항상 깨끗하게 유지해야 합니다.

본 장비를 수리하려면 세심한 주의와 전문 지식이 필요하므로, 자격을 갖춘 서비스 기술자에게 맡겨야 합니다. 공인된 서비스 센터를 통해서만 제품을 수리해야 합니다. 수리 시에는 본래의 교체용 부품만 사용하십시오.

유지 관리 또는 청소 작업을 하려면 먼저 제품을 끄고 배터리 팩을 분리하십시오.

작업자는 본 설명서에 제공되어 있는 조절 또는 수리 작업만 수행할 수 있습니다. 다른 수리 작업을 하려면 공인 서비스 대리점에 문의하십시오.

교체용 라인의 경우, 이 설명서의 사양 표에 나와 있는 직경의 나일론 필라멘트 선만 사용하십시오.

새 커터 라인을 연장한 후에는 항상 제품을 정상 작동 위치로 되돌린 후 시동하십시오.

매번 사용한 후에는 부드럽고 마른 천으로 제품을 청소하십시오. 손상된 부품이 있으면 공인 서비스 센터에서 적절한 수리 또는 교체 서비스를 받아야 합니다.

제품을 안전한 작동 조건에서 사용할 수 있도록 모든 너트, 볼트 및 나사가 잘 조여져 있는지 자주 점검하십시오.

MILWAUKEE 액세서리와 부속품만 사용하십시오. 언급되지 않은 부품을 교체해야 하는 경우, MILWAUKEE 서비스 센터에 문의하십시오. (보증/서비스 주소 목록 참조). 필요 시, 제품 분해도를 주문할 수 있습니다. 라벨에 인쇄되어 있는 제품 유형과 일련 번호를 알려주고 현지 서비스 대리점에서 도면을 주문하십시오.

기호



주의! 경고! 위험!



제품 사용 전, 설명서를 자세히 읽으십시오.



제품 사용 전, 배터리 팩을 제거하십시오.



장갑을 착용하십시오!



귀마개를 착용하십시오!



항상 보호복과 안전화를 착용하십시오.



제품을 사용할 때 항상 보안경을 착용하십시오.



주변 사람들이 제품과 안전 거리를 유지하도록 하십시오.



비 속에서 사용하거나 비가 오는 동안 실외에 놓아두지 마십시오.



제품에 금속 날을 사용하지 마십시오.



부품이나 부속품은 별매품입니다.



이 라벨에 표시된 보장 음향 출력 레벨은 96dB(A)입니다.



전동 공구 및 배터리 팩을 폐기할 때 일반 가정용 쓰레기와 함께 섞어서 버리면 안 됩니다. 수명이 다한 전동 공구와 배터리는 별도로 수거하여 환경적으로 호환되는 재생 시설로 반품해야 합니다. 재활용에 관한 조언과 수거 지점에 대해서는 지방 정부당국이나 소매업자에게 확인하십시오.

n_0

무부하 상태에서의 스트로크 레이트(분당 스트로크)

V

전압(볼트)



직류

ความเร็วโดยไม่มีภาระโหลด (ความเร็วต่ำ)	0–4900 min ⁻¹
ความเร็วโดยไม่มีภาระโหลด (ความเร็วสูง)	0–6200 min ⁻¹
ด้ามการตัดสูงสุด Ø	7.6m x 2mm / 6.1m x 2.4 mm
ความจุการตัดสูงสุด	400 mm
แรงดันไฟแบตเตอรี่	18 V
น้ำหนักตามขั้นต้นของ EPTA 01/2014	1.7 kg

ข้อมูลเกี่ยวกับเสียงรบกวน/การสั่น

ค่าที่วัดที่กำหนดตาม EN 50636/EN ISO 4871

โดยทั่วไป ระดับเสียงรบกวน A ตามน้ำหนักของเครื่องมือมีค่าเท่ากับ:

ระดับความดันเสียง (ค่า K แปรผัน = 3dB(A))	79 dB(A)
ระดับกำลังเสียง (ค่า K แปรผัน = 3dB(A))	93 dB(A)

อย่าลืมใส่อุปกรณ์ป้องกัน!

ค่าการสั่นสะเทือนรวม (ผลรวมเวกเตอร์ในสามแกน) ที่กำหนดตาม EN 50636

การสั่น (a _h)	7.5 m/s ²
ค่า K แปรผัน	2.5 m/s ²

สำหรับข้อมูลทางเทคนิคและรายชื่อฐานพลังงานที่สามารถใช้ร่วมกับหัวสำหรับการใช้งานที่เฉพาะเจาะจง โปรดดูคู่มือการใช้งานของหัวสำหรับการใช้งานนั้น

คำเตือน!

ระดับการสั่นสะเทือนที่ให้อไว้ในเอกสารนี้ได้รับการวัดให้สอดคล้องกับการทดสอบมาตรฐานตาม EN 60335-1/EN 50636-2-91 และอาจใช้เปรียบเทียบกับผลิตภัณฑ์หนึ่งกับอีกผลิตภัณฑ์หนึ่ง ซึ่งอาจใช้ในการประเมินการสัมผัสแรงสั่นสะเทือนเบื้องต้น ระดับการสั่นสะเทือนที่แจ้งไว้คือระดับที่เกิดขึ้นจากการใช้งานหลัก อย่างไรก็ตาม หากใช้งานผลิตภัณฑ์ในลักษณะอื่น ด้วยอุปกรณ์เสริมที่แตกต่างจากที่แนะนำไว้ หรือขาดการบำรุงรักษาที่เหมาะสม แรงสั่นสะเทือนที่ส่งออกมาอาจมีการเปลี่ยนแปลงไป ซึ่งอาจเพิ่มระดับการสัมผัสแรงสั่นสะเทือนขึ้นอย่างมากตลอดช่วงการทำงานทั้งหมด ให้พิจารณาประเมินระดับความเสี่ยงของการสั่นทุกครั้งขณะเปิดเครื่องของอุปกรณ์แล้วหรือเมื่อเปิดเครื่องของอุปกรณ์แล้วแต่ยังไม่ได้ใช้งาน ซึ่งอาจลดระดับการสัมผัสแรงสั่นสะเทือนลงอย่างมากตลอดช่วงการทำงานทั้งหมด

อ่านมาตรการด้านความปลอดภัยเพิ่มเติมเพื่อปกป้องผู้ใช้จากผลของแรงสั่นสะเทือน เช่น การบำรุงรักษาผลิตภัณฑ์และอุปกรณ์เสริม การคอยดูแลให้มีอุณหภูมิและตารางแผนรูปแบบการทำงานให้เป็นระเบียบ

⚠ คำเตือน! อ่านคู่มืออย่างระมัดระวังและความรู้เกี่ยวกับตัวควบคุมและการใช้งานผลิตภัณฑ์อย่างเหมาะสม โปรดเก็บเอกสารคำเตือนและคำแนะนำทั้งหมดเพื่อใช้อ้างอิงในอนาคต

คำเตือนด้านความปลอดภัยของเครื่องเล็มหญ้ารุ่นมีสาย

การฝึกอบรม

อ่านคำแนะนำอย่างละเอียด ทำความคุ้นเคยกับการควบคุมและการใช้งานเครื่องจักรอย่างถูกต้อง

อย่าให้เด็กหรือคนที่ไม่คุ้นเคยกับคำแนะนำเหล่านี้ใช้เครื่อง ข้อบังคับภายในประเทศอาจจำกัดอายุของผู้คุมเครื่อง

โปรดฟังจดจำว่าผู้ปฏิบัติงานหรือผู้ใช้จะต้องรับผิดชอบสำหรับอุบัติเหตุหรืออันตรายที่เกิดขึ้นกับบุคคลอื่น หรือทรัพย์สินของพวกเขา

การเตรียมความพร้อม

ก่อนใช้งาน ให้ใช้สายตาตรวจสอบความเสียหายของตัวเครื่อง รวมทั้งตรวจสอบว่ามีชิ้นส่วนหรืออุปกรณ์ป้องกันใดๆ ที่สูญหายหรือติดตั้งผิดตำแหน่งหรือไม่

ห้ามใช้เครื่องขณะที่มีคน โดยเฉพาะอย่างยิ่งมีเด็กหรือสัตว์เลี้ยงอยู่ใกล้บริเวณนั้น

สวมแว่นนิรภัยและอุปกรณ์ป้องกันการได้ยินทุกครั้งก่อนใช้ผลิตภัณฑ์ หากปฏิบัติงานในพื้นที่ซึ่งอาจมีวัตถุตกลงมาที่สูงได้ ให้สวมหมวกนิรภัยด้วย

อุปกรณ์ป้องกันการได้ยินอาจส่งผลให้ผู้ปฏิบัติงานได้ยินเสียงเตือนต่างๆ ไม่ชัดเจนหรือไม่ได้ยิน โปรดใช้ความระมัดระวังเป็นพิเศษเพื่อป้องกันอันตรายที่อาจเกิดขึ้นทั้งในบริเวณรอบๆ และภายในพื้นที่ปฏิบัติงาน

สวมกางเกงขายาว รองเท้าบูท และถุงมือชนิดหนาเสมอ อย่าสวมเสื้อผ้าที่หลวมหลวม กางเกงขาสั้น หรือเครื่องประดับทุกชนิด อย่าใช้งานผลิตภัณฑ์โดยไม่สวมเครื่องสวมเท้า

รวบรวมที่ยาวไว้ให้อยู่เหนือหัวไหล่เพื่อป้องกันไม่ให้ผมเข้าไปติดพันในชิ้นส่วนที่มีการเคลื่อนไหว

การปฏิบัติงาน

เก็บสายที่เหลือและสายพ่วงไว้ให้ห่างจากเครื่องมือตัด

สวมแว่นนิรภัยและรองเท้ายึดความปลอดภัยตลอดเวลาที่ใช้งานเครื่องจักร

ใช้เครื่องเฉพาะในเวลากลางวันหรือมีแสงสว่างเพียงพอ

อย่าใช้เครื่องมือที่ติดตั้งชิ้นส่วนหรืออุปกรณ์ป้องกันที่ชำรุดเสียหาย หรือไม่ได้ติดตั้งไว้เลยโดยเด็ดขาด

เปิดเครื่องของอุปกรณ์นี้เฉพาะเมื่อมือและขาอยู่นอกเครื่องมือตัดเท่านั้น

ถอดแบตเตอรี่ออกเสมอ :

- ทุกคนที่จะปล่อยเครื่องทิ้งไว้โดยไม่มีคนดูแล
- ก่อนที่จะกำจัดสิ่งกีดขวาง
- ก่อนที่จะตรวจสอบ ทำความสะอาด หรือดำเนินการใดๆ กับเครื่องจักร

- หลังจากที่เกิดเหตุกับวัตถุแปลกปลอม
- ทุกครั้งที่เครื่องเริ่มมีอาการผิดปกติ

ระมัดระวังอย่าให้มือและเท้าได้รับบาดเจ็บจากการเข้าใกล้รัศมีการตัด ตรวจสอบให้แน่ใจว่าช่องระบายอากาศนั้นเปิดอยู่เสมอโดยไม่มีสิ่งสกปรกไปกีดขวาง

หลีกเลี่ยงการใช้งานบนหญ้าที่เปียก

อย่าเดินถอยหลังขณะใช้งานผลิตภัณฑ์

อย่าให้ผลิตภัณฑ์ชนขณะที่เสี่ยงต่อการเกิดไฟฟ้า

อย่า ให้ผลิตภัณฑ์โดนฝนหรือเปียกน้ำ หากมีน้ำซึมเข้าไปในตัวอุปกรณ์ อาจเพิ่มความเสี่ยงต่อการถูกไฟช็อตได้

กันให้บุคคลอื่น เด็ก และสัตว์เลี้ยงอยู่ห่างจากพื้นที่ปฏิบัติงานอย่างน้อย 15 เมตร หยุดการทำงานของผลิตภัณฑ์หากมีผู้อื่นเข้ามาในพื้นที่

ควบคุมให้อุปกรณ์เสริมส่วนตัดอยู่ต่ำกว่าระดับเอวเสมอ

ระมัดระวังให้มือและเท้าอยู่รัศมีการตัดตลอดเวลา และโดยเฉพาะในขณะที่เปิดสวิตช์มอเตอร์

ระมัดระวัง เนื่องจากชิ้นส่วนในการตัดจะยังคงหมุนต่อไปแม้หลังจากที่ปิดตัวเครื่องของอุปกรณ์แล้วก็ตาม

ระวังวัตถุที่อาจกระเด็นออกจากรัศมีการตัด เก็บเศษวัสดุเช่น หินก้อนเล็กๆ กรวด และวัตถุแปลกปลอมอื่นๆ ออกจากพื้นที่ปฏิบัติงานให้หมดก่อนเริ่มปฏิบัติงาน สายไฟและลวดอาจพันติดเมื่อเข้ามาอยู่ในรัศมีการตัดได้

ไม่มีขนาดเล็กลูกที่ติดอยู่กับอุปกรณ์ป้องกันหญ้า ได้รับการออกแบบมาเพื่อใช้ในการตัดสายต้อเส้นใหม่ให้มีความยาวที่เหมาะสม เพื่อการใช้งานอย่างปลอดภัยและมีประสิทธิภาพ ไม่มีต้นตอมาก อย่าแตะต้องโดยเฉพาะอย่างยิ่งขณะที่ความสะอาดผลิตภัณฑ์

ตรวจสอบให้แน่ใจว่าได้ติดตั้งอุปกรณ์เสริมหัวตัดอย่างถูกต้องและยึดไว้อย่างแน่นหนา

ตรวจสอบให้แน่ใจว่าได้ติดตั้งอุปกรณ์ป้องกัน แผ่นป้องกัน และที่จับไว้อย่างถูกต้องและแน่นหนา

ห้ามตัดแปลงผลิตภัณฑ์ทุกรูปแบบ การทำเช่นนี้อาจเป็นการเพิ่มความเสี่ยงที่ตัวคุณหรือผู้อื่นจะได้รับบาดเจ็บ

ใช้เฉพาะสายตัดต่อให้ของผู้ผลิตเท่านั้น ห้ามใช้อุปกรณ์เสริมในการตัดอื่นๆ ทุกชนิด

อย่าใช้งานเพื่อการตัดโลหะ

ปิดสวิตช์และถอดแบตเตอรี่ทันทีที่เกิดอุบัติเหตุหรืออุปกรณ์ชำรุดเสียหาย อย่าใช้ผลิตภัณฑ์ต่ออีกจนกว่าจะนำอุปกรณ์ไปที่ ศูนย์บริการ ของตัวแทนจำหน่ายที่ได้รับอนุญาต เพื่อทำการตรวจสอบอย่างละเอียด

ตรวจสอบให้แน่ใจว่าไม่มีวัตถุอยู่ในตำแหน่งที่ถูกต้องและมั่นคงก่อนการใช้งานแต่ละครั้ง

ก่อนใช้งานและทุกครั้งหลังเครื่องได้รับแรงกระแทก ตรวจสอบให้แน่ใจว่าไม่มีชิ้นส่วนใดได้รับความเสียหาย ควรนำอุปกรณ์ไปส่ง ให้ตัวแทนจำหน่ายที่ได้รับอนุญาต ซ่อมแซมหรือเปลี่ยนสวิตช์ที่ชำรุดหรือชิ้นส่วนใดๆ ที่เสียหายหรือสึกหรอให้เรียบร้อย

ห้ามใช้งานผลิตภัณฑ์จนกว่าจะติดตั้งอุปกรณ์ป้องกัน แผ่นป้องกันและที่จับไว้อย่างถูกต้องและแน่นหนา

พิจารณาสภาพแวดล้อมที่คุณจะทำการปฏิบัติงาน ระมัดระวังอย่าให้ในพื้นที่ปฏิบัติงานมีลม แสงไม่ หิน และเศษวัสดุอยู่ เนื่องจาก หาก สัมผัสถูกเครื่องตัด อาจส่งผลให้ปลิวกระเด็นอย่างรุนแรงได้

การบำรุงรักษาและจัดเก็บ

ถอดแบตเตอรี่ออกก่อนที่จะทำการบำรุงรักษาหรือทำความสะอาด

ใช้เฉพาะชิ้นส่วนอะไหล่และอุปกรณ์เสริมที่ผู้ผลิตแนะนำเท่านั้น (ดูที่หน้า 15)

ตรวจสอบและดูแลเครื่องจักรเป็นประจำ ให้มีเฉพาะช่างซ่อมที่ได้รับอนุญาตเท่านั้นเป็นผู้ดำเนินการซ่อมเครื่องจักร

เมื่อไม่ได้ใช้งาน ให้เก็บเครื่องมือให้ไกลจากตัวเด็ก

ห้ามติดตั้งสายอะไหล่ที่ทำจากโลหะโดยตรง

หยุดใช้งานผลิตภัณฑ์และทิ้งไว้ให้เย็นก่อนที่จะนำไปเก็บหรือขนย้าย

ห้ามนำเศษวัสดุแปลกปลอมทั้งหมดออกจากผลิตภัณฑ์ จัดเก็บไว้ในที่แห้งและเย็น และสามารถระบายอากาศได้ดี ซึ่งเด็ก ๆ ไม่สามารถเข้าถึงได้

เก็บไว้ในห่างจากสารที่มีฤทธิ์กัดกร่อน เช่น สารเคมีทำสวนและ เกลือ ละลายน้ำแข็ง อย่างจัดเก็บไว้กลางแจ้ง

หากต้องการจัดเก็บ ให้ถอดแบตเตอรี่ออกเสมอ

หากต้องการขนย้าย ให้ยึดผลิตภัณฑ์ไว้โดยอย่าให้สามารถขยับหรือตกหล่นได้ เพื่อป้องกันไม่ให้มีผู้ได้รับบาดเจ็บหรือผลิตภัณฑ์เสียหาย

คำแนะนำด้านความปลอดภัยเพิ่มเติม

ห้ามให้เด็ก บุคคลที่มีความบกพร่องทางกาย การรับรู้ หรือทางจิต ตลอดจนบุคคลที่ขาดประสบการณ์และความรู้ หรือบุคคลที่ไม่คุ้นเคยกับคำแนะนำเหล่านี้ใช้งานเครื่องมือ อาจมีการจำกัดอายุผู้ใช้ตามข้อกำหนดในห้องกัน

ถอดชุดแบตเตอรี่ออกก่อนเริ่มกระทำการใด ๆ กับผลิตภัณฑ์

ห้ามตั้งแบตเตอรี่ที่ใช้แล้วกับขยะรีไซเคิลหรือโยกการเผาทำลาย ผู้แทนจำหน่ายของ MILWAUKEE รับแบตเตอรี่เก่าเพื่อรักษาสิ่งแวดล้อม

ไม่เก็บชุดแบตเตอรี่ไว้รวมกับวัตถุอื่นที่เป็นโลหะ (เสี่ยงต่อการลัดวงจร)

ชาร์จชุดแบตเตอรี่ System M18 ด้วยตัวชาร์จสำหรับ System M18 เท่านั้น อย่าใช้แบตเตอรี่จากระบบอื่น ๆ

ถอดแบตเตอรี่ออกจากรูขั้วจากแบตเตอรี่ที่เสียหายภายใต้อุณหภูมิสูงหรือการใช้งานที่หนักมากเกินไป หากสัมผัสกับชุดแบตเตอรี่ ให้ล้างออกทันทีด้วยน้ำสบู่ หากถอดแบตเตอรี่เข้าตา ล้างตาให้ทั่วอย่างน้อย 10 นาทีและไปพบแพทย์ทันที

คำเตือนเพิ่มเติมเกี่ยวกับความปลอดภัยของแบตเตอรี่

⚠ คำเตือน! วิธีลดความเสี่ยงในการเกิดไฟไหม้ การบาดเจ็บส่วนบุคคลและความเสียหายต่อผลิตภัณฑ์ จากการลัดวงจร อย่างจุ่มเครื่องมือ ก่อนแบตเตอรี่ หรือเครื่องชาร์จไฟลงในของเหลวหรือปล่อยให้ของเหลวซึมเข้าสู่ภายใน ของเหลวที่มีฤทธิ์กัดกร่อนหรือน้ำไฟฟ้าอาจก่อให้เกิดการลัดวงจรได้ เช่น น้ำทะเล สารเคมีทางอุตสาหกรรมบางชนิด และผลิตภัณฑ์ฟอสซิลหรือมีส่วนผสมการฟอสซิล เป็นต้น

ความเสี่ยงที่เหลืออยู่

สิ่งไม่มีเครื่องมือจะได้รับการใช้ตามที่กำหนด แต่ไม่สามารถกำจัดปัจจัยความเสี่ยงที่หลงเหลืออยู่ได้ อัตราตายต่อไปนี้อาจเกิดขึ้นในการใช้งานและผู้ดำเนินการควรให้ความสนใจเป็นพิเศษเพื่อหลีกเลี่ยงกรณีต่อไปนี้

- การบาดเจ็บที่เกิดจากแสงสะท้อน เงาบริเวณที่จับเฉพาะของผลิตภัณฑ์และอย่าใช้งานติดต่อกันเป็นเวลานาน
- เสียงดังเกินไปอาจทำให้สูญเสียความสามารถในการได้ยิน สวมอุปกรณ์ป้องกันการได้ยินและจำกัดระยะเวลาการได้ยิน
- การบาดเจ็บเนื่องจากเศษวัสดุที่กระเด็น สวมใส่อุปกรณ์ป้องกันดวงตา กางเกงขายาวที่มีความหนา ถุงมือและรองเท้าที่แข็งแรงทนทานตลอดเวลา

สภาพการใช้งานที่กำหนด

ผลิตภัณฑ์นี้มีไว้เพื่อใช้งานกลางแจ้ง และควบคุมโดยผู้ปฏิบัติงานที่ยืนอยู่เท่านั้น

ผลิตภัณฑ์นี้ได้รับการออกแบบมาเพื่อใช้ในการตัดหญ้า สาหร่ายเส้นเล็ก และพืชผักอื่นๆ ที่มีลักษณะใกล้เคียงกันหรือมีความสูงจากพื้นดินเพียงเล็กน้อยเท่านั้น

ควรจัดให้ระนาบการตัดขนานกับพื้นดิน ในระหว่างที่ทำการตัด

ไม่ควรใช้ ผลิตภัณฑ์ในการตัดหรือเล็มหญ้า ภูมิไม้ หรือพืชผักอื่นๆ ในขณะที่ระนาบการตัดไม่ได้อยู่เท่าหรือใกล้เคียงกับพื้นดิน

ห้ามใช้ผลิตภัณฑ์นั้นนอกเหนือไปจากการใช้งานแบบปกติ

แบตเตอรี่

ชาร์จไฟใหม่ก่อนใช้งานหากไม่ได้ใช้ชุดแบตเตอรี่เป็นเวลานาน

ประสิทธิภาพของชุดแบตเตอรี่จะลดลงหากอุณหภูมิสูงกว่า 50°C (122°F) หลีกเลี่ยงไม่ให้ถูกแสงแดดหรือความร้อนเป็นเวลานาน (เสี่ยงต่อความร้อนเกิน)

ต้องหมั่นดูแลความสะอาดหน้าสัมผัสตัวชาร์จกับชุดแบตเตอรี่

เพื่อยืดอายุการใช้งาน ควรชาร์จแบตเตอรี่ให้เต็มหลังการใช้งาน
เพื่อรักษาอายุแบตเตอรี่ให้มากที่สุด ให้ถอดชุดแบตเตอรี่ออกจากตัวชาร์จ
เมื่อชาร์จไฟเต็ม

สำหรับชุดแบตเตอรี่ที่ต้องการเก็บไว้นานกว่า 30 วัน:

- เก็บชุดแบตเตอรี่ที่อุณหภูมิต่ำกว่า 27°C และหลีกเลี่ยงความร้อน
- เก็บชุดแบตเตอรี่ที่ประจุ 30% - 50%
- ให้ชาร์จแบตเตอรี่ตามปกติทุกหกเดือนที่เก็บ

ระบบป้องกันของชุดแบตเตอรี่

ก่อนแบตเตอรี่มีตัวป้องกันจากการใช้งานมากเกินไปเพื่อช่วยปกป้องจากการ
ใช้งานมากเกินไปและช่วยให้อุ่นใจว่าเครื่องจะมีอายุการใช้งานยาวนาน
ภายใต้ความเครียดที่รุนแรง อุปกรณ์อิเล็กทรอนิกส์ที่ใช้แบตเตอรี่จะปิด
การทำงานของผลิตภัณฑ์โดยอัตโนมัติ หากต้องการรีเซ็ต ให้ปิดเครื่อง
แล้วเปิดใหม่อีกครั้ง หากสตาร์ทเครื่องจักรไม่ติด แสดงว่าพลังงานในแพ็ค
แบตเตอรี่อาจหมดแล้ว ในกรณีดังกล่าว ให้ชาร์จชุดแบตเตอรี่

การเคลื่อนย้ายแบตเตอรี่ลิเทียม

แบตเตอรี่ลิเทียมไอออนอยู่ภายใต้ข้อกำหนดตามกฎหมายของสินค้า
อันตราย

การเคลื่อนย้ายแบตเตอรี่ลิเทียมไอออนจะต้องดำเนินการตามข้อกำหนดและ
กฎระเบียบทั้งในระดับท้องถิ่น ประเทศ และระหว่างประเทศ

- ผู้ใช้สามารถขนส่งแบตเตอรี่ทางถนนได้โดยไม่ต้องมีข้อกำหนดใดๆ เพิ่มเติม
- การขนส่งแบตเตอรี่ลิเทียมไอออนเชิงพาณิชย์โดยนิติบุคคลอื่นต้อง
ดำเนินการภายใต้กฎระเบียบว่าด้วยสินค้าที่มีอันตราย การเตรียมการ
ขนส่งและการขนส่งต้องดำเนินการโดยบุคลากรที่ผ่านการฝึกอบรมมา
แล้วเท่านั้น และในระหว่างดำเนินการต้องมีผู้เชี่ยวชาญที่เกี่ยวข้องคอย
กำกับดูแล

เมื่อขนย้ายแบตเตอรี่:

- ตรวจสอบให้แน่ใจว่าขั้วต่อแบตเตอรี่ได้รับการปกป้องและหุ้มฉนวนเพื่อ
ป้องกันไฟฟ้าลัดวงจร
- โปรดตรวจสอบให้แน่ใจว่าแบตเตอรี่ได้รับการบรรจุห่ออย่างมั่นคงเพื่อ
ป้องกันการขยับเขยื้อน
- ห้ามเคลื่อนย้ายแบตเตอรี่ที่แตกหรือรั่ว

ตรวจสอบกับบริษัทจัดส่งเพื่อขอคำแนะนำเพิ่มเติม

การบำรุงรักษา

ต้องให้ช่องระบายอากาศเปิดโล่งอยู่ตลอดเวลา

การซ่อมบำรุงจะต้องทำด้วยความระมัดระวังเป็นพิเศษและต้องการความรู้อย่าง
เฉพาะด้าน โดยควรให้เฉพาะ เจ้าหน้าที่เทคนิคซ่อมบำรุงที่ผ่านการฝึกอบรม
เป็นผู้ดำเนินการ การซ่อมบำรุงผลิตภัณฑ์จะต้องกระทำโดยศูนย์บริการที่ได้รับอนุญาตเท่านั้น
เมื่อดำเนินการซ่อมบำรุง ให้ใช้เฉพาะชิ้นส่วนอะไหล่ของแท้เท่านั้น

ดับเครื่องของอุปกรณ์และถอดชุดแบตเตอรี่ออกก่อนที่จะดำเนินการบำรุง
รักษาหรือทำความสะอาดใดๆ กับผลิตภัณฑ์

คุณสามารถดำเนินการปรับเปลี่ยนหรือซ่อมแซมตามระบุไว้ในคู่มือนี้
เท่านั้น สำหรับการซ่อมแซมอื่นๆ โปรดติดต่อตัวแทนบริการที่ได้รับอนุญาต
สำหรับสายอะไหล่ ให้ใช้เฉพาะสายในลอนฟิลาแมนขนาดเส้นผ่าน
ศูนย์กลางตามที่อธิบายไว้ใน ตารางข้อมูลจำเพาะของคู่มือฉบับนี้เท่านั้น

หลังจากต่อสายตัดใหม่ ให้วัดผลิตภัณฑ์ให้อยู่ในตำแหน่งพร้อมใช้งานปกติ
ก่อนที่จะสตาร์ทเครื่องเสมอ

หลังการใช้งานแต่ละครั้ง ให้ทำความสะอาดผลิตภัณฑ์ด้วยผ้าแห้งที่อ่อนนุ่ม
หากมีส่วนใดๆ ที่ได้รับความเสียหาย ควรนำไปส่งให้ ศูนย์บริการ ที่ได้รับ
อนุญาต ดำเนินการซ่อมแซมหรือเปลี่ยน

ตรวจสอบเป็นประจำว่าได้ชนิด สลัก และสกรูทั้งหมดในระดับความแน่นที่
เหมาะสม เพื่อให้แน่ใจว่าผลิตภัณฑ์จะอยู่ในสภาพที่สามารถทำงานได้อย่าง
ปลอดภัย

ให้ใช้อุปกรณ์เสริมและชิ้นส่วนอะไหล่ของ MILWAUKEE เท่านั้น หาก
จำเป็นต้องเปลี่ยนส่วนประกอบที่ไม่ได้อธิบายไว้ โปรดติดต่อศูนย์บริการของ

MILWAUKEE (ดูที่รายการการรับประกัน/ที่อยู่ของศูนย์บริการของเรา)

ท่านสามารถส่งภาพกระจายชิ้นส่วนประกอบของผลิตภัณฑ์ได้ หากต้องการ
โปรดระบุประเภทผลิตภัณฑ์ที่พิมพ์พร้อมทั้งหมายเลขอนุกรมบนฉลาก และส่ง
ชื่อเครื่องที่ตัวแทนบริการภายในท้องถิ่นของคุณ

เครื่องหมาย



ระวัง! คำเตือน! อันตราย!



โปรดอ่านคำแนะนำอย่างระมัดระวังก่อนเริ่มใช้เครื่องมือ



ถอดชุดแบตเตอรี่ออกก่อนเริ่มการทำงานใดๆ กับ
ผลิตภัณฑ์



สวมถุงมือ



อย่าสัมผัสอุปกรณ์ป้องกันหู!



สวมชุดและรองเท้าป้องกันเสมอ



สวมแว่นตานิรภัยทุกครั้งที่ใช้ผลิตภัณฑ์นี้



คอยระวังระยะห่างที่ปลอดภัยจากผลิตภัณฑ์นี้สำหรับ
บุคคลที่ยืนมอง



อย่าใช้ในพื้นที่ที่ฝนตกหรือวางไว้ในรถที่ร้อนในขณะ
ฝนตก



อย่าใช้ใบมีดโลหะบนผลิตภัณฑ์



มีชิ้นส่วนหรืออุปกรณ์เสริมแยกจำหน่ายต่างหาก



ระดับความดังของเสียงที่รับประกันบนฉลากนี้อยู่ที่
96 dB(A)



อย่าทิ้งเครื่องมือไฟฟ้าและก้อนแบตเตอรี่ร่วมกับขยะ
ในครัวเรือน ต้องทิ้งเครื่องมือไฟฟ้าและแบตเตอรี่ที่
หมดอายุการใช้งานแยกต่างหากและนำไปยังสถาน
ที่รีไซเคิลที่เป็นมิตรกับสิ่งแวดล้อม ตรวจสอบกับผู้
มีอำนาจในท้องถิ่นของคุณหรือร้านค้าปลีกสำหรับคำ
แนะนำในการรีไซเคิลและจุดเก็บรวบรวม

n_0 อัตราความเร็วของแสงในสุญญากาศ

V โวลต์

$\underline{\underline{\quad}}$ กระแสตรง

DATA TEKNIS**M18 FOPH-LTA**

Kecepatan tanpa beban (kecepatan rendah)	0–4900 min ⁻¹
Kecepatan tanpa beban (kecepatan tinggi)	0–6200 min ⁻¹
Batas pemotongan maksimum \emptyset	7.6m x 2mm / 6.1m x 2.4 mm
Kapasitas pemotongan maksimum	400 mm
Tegangan baterai	18 V
Bobot sesuai dengan Prosedur EPTA 01/2014	1,7 kg

Informasi derau/vibrasi

Nilai terukur yang ditentukan sesuai EN 50636/EN ISO 4871.

Biasanya, level kebisingan tertimbang A dari alat adalah:

Tingkat tekanan suara (K Ketidakpastian=3dB(A))	79 dB(A)
Tingkat daya suara (K Ketidakpastian=3dB(A))	93 dB(A)

Pakailah pelindung telinga!

Total nilai vibrasi (jumlah vektor di ketiga aksis) ditentukan sesuai EN 50636.

Getaran a_h	7,5 m/s ²
K Ketidakpastian	2,5 m/s ²

Untuk data teknis dan daftar sumber daya (powerbase) yang bisa digunakan untuk kepala (head) perangkat tertentu, lihat instruksi pengoperasian head perangkat tersebut.

PERINGATAN!

Tingkat emisi getaran yang diberikan dalam lembar informasi ini telah diukur sesuai dengan uji terstandar yang diberikan dalam EN 60335-1/EN 50636-2-91 dan dapat digunakan untuk membandingkan satu produk dengan yang lainnya. Dapat digunakan untuk penilaian pendahuluan terhadap paparan.

Tingkat emisi getaran yang dinyatakan mewakili penggunaan utama produk ini. Namun, jika produk digunakan untuk penggunaan yang berbeda, dengan aksesoris yang berbeda, atau pemeliharaan yang kurang memadai, maka emisi getaran mungkin akan berbeda. Hal ini dapat meningkatkan tingkat paparan secara signifikan selama periode kerja total.

Perkiraan tingkat paparan terhadap getaran juga harus memperhitungkan saat-saat ketika alat dimatikan atau ketika produk sedang dinyalakan tetapi tidak benar-benar melakukan pekerjaan. Hal ini dapat menurunkan tingkat paparan secara signifikan selama periode kerja total.

Tentukan langkah-langkah keselamatan tambahan untuk melindungi operator dari efek getaran seperti: memelihara produk dan aksesoris, menjaga agar tangan tetap hangat, dan mengelola pola kerja.

⚠ PERINGATAN! Baca instruksi ini dengan seksama dan kenali fungsi kontrol dan penggunaan produk dengan benar. Simpan semua peringatan dan petunjuk sebagai referensi sewaktu-waktu.

PERINGATAN KESELAMATAN ALAT PEMOTONG TEPI (LINE TRIMMER)**Latihan**

Bacalah petunjuk dengan teliti. Kenali fungsi kendali dan penggunaan mesin yang benar.

Jangan pernah membiarkan anak-anak atau orang yang tidak memahami petunjuk ini dengan baik menggunakan produk ini. Peraturan setempat mungkin membatasi usia operator.

Ingatlah bahwa operator atau pengguna bertanggung jawab atas kecelakaan atau bahaya yang terjadi pada orang lain atau properti mereka.

Persiapan

Sebelum menggunakan, selalu periksa mesin secara visual terhadap adanya kerusakan, pelindung atau perisai yang hilang atau salah ditempatkan.

Jangan pernah mengoperasikan mesin ini dengan ada orang, terutama anak-anak atau binatang peliharaan, yang berada di sekitar pengoperasian.

Gunakan pelindung mata dan telinga keseluruhan saat mengoperasikan produk. Jika bekerja di dalam sebuah area di mana ada risiko benda jatuh, pelindung kepala harus digunakan.

Pelindung telinga dapat menghalangi kemampuan operator untuk mendengar suara peringatan, beri perhatian khusus pada potensi bahaya di sekitar dan di dalam area kerja.

Gunakan celana panjang berbahan berat, sepatu bot, dan sarung tangan. Jangan gunakan pakaian longgar, celana pendek, atau perhiasan apa pun. Jangan gunakan alat ini dengan kaki telanjang.

Ikatlah rambut yang panjang sehingga rambut berada di atas bahu agar tidak tersangkut di dalam bagian alat yang bergerak.

Pengoperasian

Jauhkan kabel catu daya dan kabel sambungan dari alat pemotong.

Selalu gunakan pelindung mata dan sepatu safety ketika mengoperasikan mesin.

Hanya gunakan di siang hari atau dengan pencahayaan buatan yang baik.

Jangan mengoperasikan mesin dengan pelindung atau perisai yang rusak, atau tanpa menggunakan pelindung atau perisai.

Nyalakan alat hanya ketika tangan dan kaki jauh dari alat pemotong.

Selalu lepaskan baterai

- ketika mesin ditinggalkan
- sebelum membersihkan sumbatan
- sebelum memeriksa, membersihkan atau mengerjakan apa pun pada mata pisau;
- setelah membentur benda asing;
- ketika mesin mulai bergetar secara tidak normal.

Berhati-hatilah agar tangan dan kaki tidak cedera akibat alat pemotong.

Selalu pastikan bukaan ventilasi bebas dari serpihan.

Hindari penggunaan pada rumput yang basah.

Jangan berjalan mundur ketika menggunakan produk ini.

Jangan mengoperasikan produk ketika ada risiko sambaran petir.

Jangan letakkan produk di bawah curah hujan atau kondisi basah. Air yang masuk ke dalam peralatan akan meningkatkan risiko sengatan listrik.

Jauhkan pengamat, anak-anak dan binatang peliharaan sejauh 15m dari area kerja. Matikan produk jika ada orang yang memasuki area kerja.

Pastikan alat tambahan pemotongan lebih rendah dari tinggi pinggang.

Selalu jauhkan tangan dan kaki dari alat pemotongan dan terutama saat menghidupkan motor penggerak.

Hati-hati, elemen pemotong masih akan berputar setelah produk dimatikan.

Waspadalah terhadap benda-benda yang dilemparkan oleh alat pemotongan. Bersihkan serpihan seperti batu-batu kecil, kerikil dan benda asing lainnya dari area kerja sebelum mulai mengoperasikan. Kawat atau tali dapat tersangkut pada alat pemotong.

Pisau kecil yang dipasang pada pelindung dirancang untuk memotong tali perpanjangan yang baru agar panjangnya pas untuk keselamatan dan kinerja optimal. Pisau ini sangat tajam, jangan menyentuhnya terutama saat membersihkannya.

Pastikan tumpuan pisau terpasang dengan baik dan diartikan dengan aman.

Pastikan semua pelindung, deflektor, dan tuas terpasang dengan baik dan aman.

Jangan memodifikasi produk dengan cara apapun, memodifikasi dapat meningkatkan risiko cedera bagi Anda dan orang lain.

Hanya gunakan tali pemotongan pengganti dari produsen. Jangan menggunakan perangkat pemotongan tambahan lain.

Jangan gunakan alat pemotongan logam.

Segera matikan produk dan lepaskan paket baterai jika terjadi kecelakaan atau kerusakan. Jangan mengoperasikan produk hingga alat diperiksa secara keseluruhan oleh pusat layanan resmi.

Pastikan pisau pemotongan diposisikan dengan benar dan aman sebelum penggunaan.

Sebelum menggunakan dan setelah benturan, periksa apakah ada bagian yang rusak. Sebuah sakelar atau bagian manapun

yang rusak atau aus harus diperbaiki sebagaimana mestinya atau diganti oleh pusat layanan resmi.

Jangan gunakan produk kecuali semua pelindung, deflektor, dan tuas terpasang dengan baik dan aman.

Tinjau lingkungan tempat Anda bekerja. Jagalah area kerja agar bersih dari kawat, kayu, batu dan serpihan yang dapat terlempar jika terkena oleh pemotong.

Perawatan dan penyimpanan

Lepaskan baterai sebelum melakukan perawatan atau pembersihan.

Gunakan hanya suku cadang dan aksesoris yang direkomendasikan produsen (Lihat halaman 15).

Periksa dan rawat mesin secara berkala. Mintalah perbaikan mesin dilakukan hanya oleh bengkel resmi.

Simpan mesin di tempat yang jauh dari jangkauan anak-anak ketika tidak digunakan.

Jangan pernah memasang tali pengganti yang terbuat dari baja.

Matikan produk dan biarkan alat menjadi dingin sebelum menyimpan atau mengangkutnya.

Bersihkan semua material asing dari produk. Simpanlah di dalam tempat yang sejuk dan berventilasi baik yang tidak dapat dijangkau oleh anak-anak. Jauhkan dari bahan-bahan korosif seperti bahan kimia untuk keberkuan dan garam peluruh es. Simpan di luar ruangan.

Untuk penyimpanan, selalu lepaskan baterai.

Untuk pengangkutan, amankan produk dari pergerakan atau kejatuhan agar tidak menyebabkan cedera terhadap seseorang atau produk itu sendiri.

PETUNJUK KESELAMATAN TAMBAHAN

Jangan pernah membiarkan anak-anak, orang dengan kemampuan fisik, indra atau mental yang kurang atau tidak berpengalaman dan berpengetahuan atau orang-orang yang tidak paham dengan petunjuk penggunaan menggunakan mesin ini, peraturan setempat dapat membatasi usia operator.

Lepaskan paket baterai sebelum memulai pekerjaan apa pun pada produk.

Jangan membuang unit baterai bekas dalam sampah rumah tangga atau membakarnya. Distributor MILWAUKEE menerima kembali baterai usang untuk menjaga lingkungan.

Jangan menyimpan paket baterai bersama benda logam (risiko arus pendek).

Hanya gunakan pengisi daya System M18 untuk mengisi daya paket baterai System M18. Jangan menggunakan unit baterai dari sistem lain.

Asam baterai dapat merembes dari baterai yang rusak akibat beban atau suhu yang ekstrem. Jika asam baterai mengenai Anda, segera cuci dengan sabun dan air. Jika mengenai mata, bilas sebanyak-banyaknya selama setidaknya 10 menit dan segera dapatkan penanganan medis.

PERINGATAN KESELAMATAN BATERAI TAMBAHAN

⚠ PERINGATAN! Untuk mengurangi risiko kebakaran, cedera pribadi, dan kerusakan produk akibat hubungan arus pendek, jangan pernah merendam alat, baterai atau charger Anda dalam cairan atau membiarkan cairan mengalir di dalamnya. Cairan korosif atau konduktif, seperti air laut, bahan kimia industri tertentu, dan produk pemutih atau yang mengandung pemutih, dan sebagainya, dapat menyebabkan hubungan arus pendek.

RISIKO RESIDUAL

Bahkan ketika produk digunakan seperti yang ditentukan, masih tidak mungkin untuk sepenuhnya menghilangkan faktor risiko residual tertentu. Bahaya berikut mungkin timbul dalam penggunaan dan operator harus memberikan perhatian khusus untuk menghindari hal-hal berikut:

- cedera yang disebabkan oleh vibrasi Pegang produk dengan menggunakan tuas yang disediakan dan batasi waktu kerja dan paparan.
- Berada di lingkungan yang bising dapat menyebabkan gangguan pendengaran. Gunakan pelindung telinga dan batasi paparan.
- Cedera akibat terban serpihan Gunakan pelindung mata, celana panjang tebal, sarung tangan dan alas kaki yang kuat setiap saat.

KONDISI PENGGUNAAN KHUSUS

Produk ini dimaksudkan hanya untuk penggunaan di luar ruangan oleh seorang operator yang berdiri.

Produk ini dirancang untuk memotong rumput, ilalang tipis, atau tumbuhan lain yang sejenis yang tumbuh pada atau setinggi permukaan tanah.

Bidang pemotongan harus hampir paralel dengan permukaan tanah saat melakukan pemangkasan.

Produk ini tidak untuk digunakan untuk memotong atau memangkas tanaman pagar, semak-semak, atau tumbuhan lain di mana bidang pemotongan tidak pada atau setinggi permukaan tanah.

Jangan gunakan produk ini selain penggunaan normal yang telah dinyatakan.

BATERAI

Paket baterai yang belum digunakan selama beberapa waktu harus diisi kembali dayanya sebelum digunakan.

Suhu yang melebihi 50°C (122°F) akan mengurangi kinerja paket baterai. Hindari paparan berkepanjangan terhadap panas atau sinar matahari (risiko panas berlebihan).

Kontak pada pengisi daya dan paket baterai harus dijaga kebersihannya.

Untuk masa pemakaian optimal, paket baterai harus diisi dayanya hingga penuh setelah digunakan.

Untuk memaksimalkan masa pemakaian baterai, lepaskan paket baterai dari pengisi daya setelah terisi sepenuhnya.

Untuk penyimpanan paket baterai lebih dari 30 hari:

- Simpan paket baterai jika suhu berada di bawah 27°C dan jauhkan dari kelembapan.
- Simpan paket baterai dalam kondisi terisi dayanya 30% - 50%.
- Jika penyimpanan paket baterai mencapai enam bulan, isi daya baterai seperti biasa.

PERLINDUNGAN KEMASAN BATERAI

Unit baterai memiliki perlindungan beban berlebih yang melindunginya dari beban berlebih dan memastikan masa pakai yang lama.

Di bawah tekanan ekstrim, elektronik baterai akan mematikan produk secara otomatis. Untuk menyalakan kembali, matikan produk dan nyalakan kembali. Jika mesin tidak dapat

dihidupkan kembali, paket baterai mungkin telah benar-benar habis. Dalam hal ini, isi ulang paket baterai.

MENGANGKUT BATERAI LITUM

Baterai litium-ion tunduk pada persyaratan Legisiasi Barang Berbahaya.

Pengangkutan baterai litium-ion harus dilakukan sesuai peraturan dan perundang-undangan lokal, nasional dan internasional.

- Pengguna dapat membawa baterai di jalan tanpa peraturan lebih lanjut.
- Pengangkutan komersial baterai Litium-ion oleh pihak ketiga tunduk pada peraturan Barang Berbahaya. Persiapan pengangkutan dan pengangkutan harus dilakukan oleh orang yang terlatih dan prosesnya harus didampingi oleh pakar yang terkait.

Ketika mengangkut baterai:

- Pastikan bahwa terminal kontak baterai terlindungi dan terisolasi untuk mencegah korsleting.
- Pastikan wadah baterai sudah dikencangkan agar tidak terpengaruh oleh pergerakan di dalam pengemasannya.
- Jangan mengangkut baterai yang retak atau bocor.

Tanyakan kepada perusahaan pengiriman untuk memperoleh pemberitahuan lebih lanjut.

PEMELIHARAAN

Slot ventilasi produk tidak boleh tertutup sepanjang waktu.

Perbaikan membutuhkan kehati-hatian ekstra dan pengetahuan, dan harus dilakukan hanya oleh seorang teknisi yang memenuhi syarat Servis produk hanya pada pusat layanan resmi. Ketika memperbaiki, gunakan hanya suku cadang asli.

Matikan produk dan lepaskan paket baterai sebelum melakukan perawatan atau pembersihan.

Anda hanya dapat melakukan penyesuaian atau perbaikan seperti dijelaskan dalam manual ini. Untuk perbaikan lain, hubungi agen layanan resmi.

Untuk penggantian tali, hanya gunakan tali filamen nilon dengan diameter yang dijelaskan dalam tabel spesifikasi dari manual ini.

Setelah memperpanjang tali pemotong baru, selalu kembalikan produk ke posisi operasi normalnya sebelum menggunakan.

Setelah penggunaan, bersihkan produk dengan kain yang halus dan kering. Bagian manapun yang rusak atau aus harus diperbaiki sebagaimana mestinya atau diganti oleh pusat layanan resmi.

Sering-seringlah memeriksa semua mur, baut, dan sekrup untuk memastikan produk berada dalam kondisi kerja yang aman.

Gunakan hanya aksesoris dan suku cadang MILWAUKEE. Jika komponen yang belum dijelaskan harus diganti, hubungi salah satu dari pusat layanan MILWAUKEE kami (lihat daftar alamat layanan/garansi kami).

Jika diperlukan, gambar pecahan komponen dapat dipesan. Sebutkan tipe produk dan nomor seri yang tertera pada label dan pesanlah gambarnya pada agen layanan setempat.

SIMBOL



PERHATIAN! PERINGATAN! BAHAYA!



Baca petunjuk dengan cermat sebelum memulai menggunakan produk.



Lepaskan paket baterai sebelum memulai pekerjaan apa pun pada produk.



Pakai sarung tangan!



Pakailah pelindung telinga!



Selalu gunakan pakaian dan sepatu pelindung.



Selalu pakai kaca mata goggle saat menggunakan produk ini.



Pastikan pengamat/penonton berada pada jarak aman dari produk ini.



Jangan menggunakannya di tengah hujan atau membiarkannya di luar saat hujan.



Jangan gunakan pisau baja pada produk.



Suku cadang dan aksesoris dijual terpisah.



Tingkat daya suara terjamin yang ditunjukkan pada label ini adalah 96 dB(A).



Jangan membuang alat-alat listrik dan kemasan baterai bersama-sama dengan sampah rumah tangga. Peralatan listrik dan baterai yang telah mencapai akhir masa pakainya harus dikumpulkan secara terpisah dan dikembalikan ke fasilitas daur ulang yang kompatibel terhadap lingkungan. Tanyakan kepada pihak berwenang atau peritel setempat mengenai daur ulang dan titik pengumpulan.

n_0

Laju gergaji tanpa beban

V Volt
= = = Arus Searah





